



مهندس امید نجفی

مدرس دروس تخصصی مهندسی برق در مقاطع ارشد و دکتری

# بهترین دوره های مهندسی برق

## ۰۹۱۳۰۳۹۴۲۰۱

برای شرکت در دوره ها میتوانید بر روی گزینه های زیر کلیک کنید!  
همچنین میتوانید با شماره تماس ۰۹۱۳۰۳۹۴۲۰۱ تماس حاصل نمایید.



ریاضیات



تحلیل  
سیستم انرژی



ماشین های  
الکتریکی



مدارهای  
الکتریکی

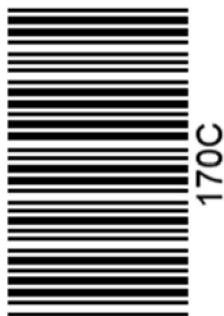
ایده پردازی و تهیه در مجموعه استادلینک، طراحی دوره توسط امید نجفی

 ostadlink.com |  omidnajafi.ir

کد کنترل

170

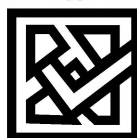
C



170C

صبح جمعه

۱۴۰۲/۱۲/۰۴



جمهوری اسلامی ایران  
وزارت علوم، تحقیقات و فناوری  
سازمان سنجش آموزش کشور

«در زمینه مسائل علمی، باید دنبال قله بود.»  
مقام معظم رهبری

## آزمون ورودی دوره‌های کارشناسی ارشد ناپوسته داخل – سال ۱۴۰۳

### مهندسی برق (کد ۱۲۵۱)

مدت زمان پاسخگویی: ۲۷۰ دقیقه

تعداد سؤال: ۱۳۱

عنوان مواد امتحانی، تعداد و شماره سؤال‌ها

ردیف	مواد امتحانی	تعداد سؤال	از شماره	تا شماره
۱	زبان عمومی و تخصصی (انگلیسی)	۲۵	۱	۲۵
۲	ریاضیات (معادلات دیفرانسیل، ریاضیات مهندسی، آمار و احتمال)	۱۵	۲۶	۴۰
۳	مدارهای الکتریکی (۳و۱)	۱۵	۴۱	۵۵
۴	الکترونیک (۲و۱) و سیستم‌های دیجیتال ۱	۱۵	۵۶	۷۰
۵	ماشین‌های الکتریکی (۲و۱) و تحلیل سیستم‌های انرژی الکتریکی ۱	۱۵	۷۱	۸۵
۶	سیستم‌های کنترل خطی	۱۲	۸۶	۹۷
۷	سیگنال‌ها و سیستم‌ها	۱۲	۹۸	۱۰۹
۸	الکترومغناطیس	۱۱	۱۱۰	۱۲۰
۹	مقدمه‌ای بر مهندسی پزشکی	۱۱	۱۲۱	۱۳۱

توجه: برای متقاضیان رشته «مهندسی پزشکی»، انتخاب یکی از دو درس «الکترومغناطیس» یا «مقدمه‌ای بر مهندسی پزشکی» به‌عنوان درس هشتم الزامی است.

این آزمون، نمره منفی دارد.

استفاده از ماشین حساب مجاز نیست.

\* داوطلب گرامی، عدم درج مشخصات و امضا در مندرجات جدول زیر، به منزله عدم حضور شما در جلسه آزمون است.

اینجانب ..... با شماره داوطلبی ..... با آگاهی کامل، یکسان بودن شماره  
صندلی خود با شماره داوطلبی مندرج در بالای کارت ورود به جلسه، بالای پاسخنامه و دفترچه سؤالها، نوع و  
کد کنترل درج شده بر روی دفترچه سؤالها و پایین پاسخنامه را تأیید می‌نمایم.

امضا:

زبان عمومی و تخصصی (انگلیسی):

## PART A: Vocabulary

**Directions:** Choose the word or phrase (1), (2), (3), or (4) that best completes each sentence. Then mark the answer on your answer sheet.

- 1- **But at this point, it's pretty hard to hurt my ..... . I've heard it all, and I'm still here.**  
 1) characterization                      2) feelings  
 3) sentimentality                          4) pain
- 2- **Be sure your child wears sunscreen whenever she's ..... to the sun.**  
 1) demonstrated      2) confronted      3) invulnerable      4) exposed
- 3- **Many of these popular best-sellers will soon become dated and ....., and will eventually go out of print.**  
 1) irrelevant              2) permanent              3) fascinating              4) paramount
- 4- **The men who arrived in the ..... of criminals were actually undercover police officers.**  
 1) uniform              2) job                      3) guise                      4) distance
- 5- **It was more ..... to take my meals in bed, where all I had to do was push away my tray with its uneaten food and fall back upon my pillows.**  
 1) haphazard              2) reckless              3) convenient              4) vigorous
- 6- **His victory sparked a rare wave of ..... in his home country. Nicaraguans poured into the streets, honking car-horns and waving the national flag.**  
 1) serendipity              2) tranquility              3) aspersion              4) euphoria
- 7- **He liked the ease and glitter of the life, and the luster ..... on him by being a member of this group of rich and conspicuous people.**  
 1) conferred              2) equivocated              3) attained              4) fabricated

## PART B: Cloze Test

**Directions:** Read the following passage and decide which choice (1), (2), (3), or (4) best fits each space. Then mark the correct choice on your answer sheet.

Roman education had its first "primary schools" in the 3rd century BCE, but they were not compulsory ..... (8) entirely on tuition fees. There were no official schools in Rome, nor were there buildings used specifically for the

purpose. Wealthy families ..... (9) private tutors to teach their children at home, while less well-off children were taught in groups. Teaching conditions for teachers could differ greatly. Tutors who taught in a wealthy family did so in comfort and with facilities; ..... (10) been brought to Rome as slaves, and they may have been highly educated.

- |     |                                    |                                     |
|-----|------------------------------------|-------------------------------------|
| 8-  | 1) which depending                 | 2) and depended                     |
|     | 3) for depended                    | 4) that depended                    |
| 9-  | 1) have employed                   | 2) employed                         |
|     | 3) were employed                   | 4) employing                        |
| 10- | 1) some of these tutors could have | 2) because of these tutors who have |
|     | 3) that some of them could have    | 4) some of they should have         |

### PART C: Reading Comprehension

***Directions:*** Read the following three passages and answer the questions by choosing the best choice (1), (2), (3), or (4). Then mark the correct choice on your answer sheet.

#### **PASSAGE 1:**

Superconducting materials have always shown promise for electrical machines. By suppressing the Joule losses and by allowing very high current densities, superconductors improve the performance of electrical machines in terms of weight, volume and efficiency. So as soon as superconducting wires were available in the 1960s, superconducting machines have been constructed and tested. Nevertheless, the use of superconductors was restricted. Despite a zero electrical resistivity, losses appear in a superconducting composite submitted to a time variable electromagnetic environment. These ac losses may be related to the Maxwell Faraday law. This indicates the presence of an electric field as soon as the magnetic field varies with time. Combined with the current density, the electric field induces ac losses. The high cooling costs have forbidden the use of superconductors under ac conditions up to the emergence of ultra low ac loss NbTi composites in the 1980s. The number of Watts required to produce 1 W of cooling at the operation temperature is called the specific work. As an order of magnitude it amounts to about 500–1000 W/W at 4.2 K in the refrigeration mode. It is 7 to 14 times higher than the minimum value given by the Carnot formula.

- 11- The word “**promise**” in the passage is closest in meaning to .....
- |                  |                 |               |             |
|------------------|-----------------|---------------|-------------|
| 1) good prospect | 2) long history | 3) obligation | 4) obstacle |
|------------------|-----------------|---------------|-------------|
- 12- The word “**It**” in the passage refers to .....
- |                  |                       |
|------------------|-----------------------|
| 1) magnitude     | 2) temperature        |
| 3) specific work | 4) refrigeration mode |
- 13- According to the passage, superconductors enhance the performance of electrical machines by .....
- |  |
|--|
| 1) assessing the Joule losses                |
| 2) allowing very high current densities      |
| 3) redirecting the movement of electrons     |
| 4) calculating the weight of the alloys used |

- 14- The passage mentions all of the following terms EXCEPT ..... .
- 1) resistivity
  - 2) Newton law
  - 3) Carnot formula
  - 4) Maxwell Faraday law
- 15- According to the passage, which of the following statements is true?
- 1) The cooling expenses of superconductors are low.
  - 2) Ultra low ac loss NbTi composites emerged in the 1960s.
  - 3) The electric field, together with the current density, causes ac losses.
  - 4) Despite having increased electrical resistivity, superconductors transfer more electricity.

**PASSAGE 2:**

Electrical and electronics engineering is the branch of engineering concerned with the practical applications of electricity in all its forms, including those of the field of electronics. Electronics engineering is that branch of electrical engineering concerned with the uses of the electromagnetic spectrum and with the application of such electronic devices as integrated circuits and transistors.

In engineering practice, the distinction between electrical engineering and electronics is usually based on the comparative strength of the electric currents used. In this sense, electrical engineering is the branch dealing with “heavy current”—that is, electric light and power systems and apparatuses—whereas electronics engineering deals with such “light current” applications as telephone and radio communication, computers, radar, and automatic control systems.

The distinction between the fields has become less sharp with technical progress. For example, in the high-voltage transmission of electric power, large arrays of electronic devices are used to convert transmission-line current at power levels in the tens of megawatts. Moreover, in the regulation and control of interconnected power systems, electronic computers are used to compute requirements much more rapidly and accurately than is possible by manual methods.

- 16- The word “its” in paragraph 1 refers to ..... .
- 1) engineering
  - 2) electricity
  - 3) branch
  - 4) field
- 17- The word “array” in paragraph 3 is closest in meaning to ..... .
- 1) currents
  - 2) brands
  - 3) number
  - 4) range
- 18- According to the passage, electronics engineering is related to all of the following EXCEPT ..... .
- 1) electromagnetic spectrum
  - 2) automatic control systems
  - 3) lightning currents
  - 4) transistors
- 19- Which of the following techniques is mainly used to develop paragraph 2?
- 1) comparison
  - 2) analogy
  - 3) statistics
  - 4) appeal to authority
- 20- The passage provides sufficient information to answer which of the following questions?
- I. Since when have electronic computers replaced manual methods in computing?**
- II. What is the factor usually used in engineering practice to distinguish between electrical engineering and electronics?**
- III. What types of transistors are more frequently used in electronics engineering?**
- 1) Only I
  - 2) Only II
  - 3) Only III
  - 4) II and III

**PASSAGE 3:**

With the publication of C. P Snow's essay *The Two Cultures* in 1959, science faculty members in higher education became especially aware of their obligation to educate students majoring in the liberal arts in the principles, techniques, and history of the pure sciences. [1] During the 1960's and 1970's most schools developed some courses to meet this need. Sometimes referred to facetiously as "Physics for Poets," they remain important in the college curriculum. [2] In the past 15 years, with less publicity, many colleges of engineering have begun to fulfill their obligation to educate these same liberal arts majors in the methods of the engineer, the physical principles underlying engineering, and the history of the consequences of engineering, i.e., the history of technology.

In 1995, at the University of Massachusetts, Lowell, the author taught the College of Engineering's first course directed at students majoring in the liberal arts. [3] The course could be used in partial fulfillment of the University's science/technology requirement. Because of the author's interest in the history of radio it was decided to construct a course around this theme-using the history of wireless communication as a vehicle for teaching the fundamentals of electric circuit theory, electronics and electromagnetic theory. The societal impact as well as legal questions attached to radio would be dealt with as well. One inspiration for the content of the course was the popularity of the documentary film made for television, *Empire of the Air*, dealing with the history of the technical development of radio. [4] The film has proved so successful that it is stocked by many video stores.

- 21- **What does the author mean by "with less publicity" in paragraph 1?**
- 1) with less public visibility or awareness
  - 2) with less publications and documents produced
  - 3) with few academic journals confirming their work
  - 4) with few public figures being involved in the process
- 22- **The word "facetiously" in paragraph 1 is closest in meaning to .....**
- 1) casually
  - 2) disparaging
  - 3) academically
  - 4) humorously
- 23- **According to the passage, which of the following statements is true?**
- 1) *Empire of the Air* was the name given to the course produced by Lowell.
  - 2) With the emergence of the so-called "Physics for Poets" in the late 1950's, science teaching gained momentum.
  - 3) Science faculty members in higher education realized their obligation to educate students about liberal arts in 1959.
  - 4) Lowell, who was interested in the history of radio, taught the College of Engineering's first course directed at students majoring in the liberal arts.
- 24- **The passage provides sufficient information to answer which of the following questions?**
- I. Who first introduced the courses sometimes referred to "Physics for Poets"?
  - II. Which field of study was C. P Snow associated with?
  - III. What was one inspiration for the content of the course mentioned in paragraph 2?
- 1) Only I
  - 2) Only II
  - 3) Only III
  - 4) I and III

25- In which position marked by [1], [2], [3] or [4], can the following sentence best be inserted in the passage?

Carrying three credits, and closed to science and engineering majors, it was conceived as a pilot for other such ventures and would accustom students to taking classes in a college often found to be forbidding.

- 1) [4]                      2) [3]                      3) [2]                      4) [1]

ریاضیات (معادلات دیفرانسیل، ریاضیات مهندسی، آمار و احتمال):

۲۶- فرض کنید  $y = \ln x$  یک جواب معادله دیفرانسیل  $y' = e^{-y}x^2 + \frac{1}{x} - e^y$  باشد. اگر  $g(x) = \frac{2ce^{x^2} + 1}{2ce^{x^2} - 1}$  و

$y_c(x)$  جواب عمومی معادله باشد، آنگاه  $\exp(y_c(x))$  کدام است؟

(۱)  $\frac{1}{x}g(x)$

(۲)  $\frac{x}{g(x)}$

(۳)  $\frac{1}{xg(x)}$

(۴)  $xg(x)$

۲۷- فرض کنید  $y_1(x) = \sin x$  و  $y_2(x)$  دو جواب مستقل خطی یک معادله دیفرانسیل خطی مرتبه دوم همگن

باشند. اگر رونسکین آنها در بازه  $(\frac{\pi}{4}, \frac{\pi}{2})$  برابر  $\sin^2(x)$  باشد، آنگاه  $y_2(x)$  کدام است؟

(۱)  $x \tan x$

(۲)  $x \cot x$

(۳)  $x \sin x$

(۴)  $x \cos x$

۲۸- حاصل  $\int x^2 J_0(x) dx$ ، کدام است؟

(راهنمایی:  $(x^\lambda J_\lambda(x))' = x^\lambda J_{\lambda-1}(x)$ ،  $J_{\lambda+1}(x) + J_{\lambda-1}(x) = \frac{2\lambda}{x} J_\lambda(x)$ )

(۱)  $x^2(xJ_1(x) - 2J_2(x))$

(۲)  $x^2 J_1(x) + 2x^2 J_2(x)$

(۳)  $x^2 J_1(x) - xJ_2(x)$

(۴)  $xJ_1(x) - 2J_2(x)$

۲۹- فرض کنید  $f(t) = t^n e^{-t}$ . تبدیل لاپلاس  $g(t) = e^t \frac{d^n f(t)}{dt^n}$ ، کدام است؟

(۱)  $\frac{\Gamma(n)(s-1)^n}{s^{n+1}}$

(۲)  $\frac{n!(s-1)^n}{s^{n+1}}$

(۳)  $\frac{(n+1)!s^n}{(s-1)^{n+1}}$

(۴)  $\frac{\Gamma(n)s^n}{(s-1)^{n+1}}$

۳۰- جواب  $y = y(x)$  از حل معادله انتگرال  $\int_0^1 \frac{y(xt)}{\sqrt{1-t}} dt = \sqrt{x}$  ، کدام است؟

(۱)  $\frac{1}{\pi x}$

(۲)  $\frac{2}{\pi\sqrt{x}}$

(۳)  $\frac{1}{\pi}\sqrt{x}$

(۴)  $\frac{2}{\pi}x$

۳۱- اگر  $f(x)$  تبدیل فوریۀ معکوس تابع  $F(\omega) = \frac{e^{2i\omega}}{(2+i\omega)^2}$  باشد، مقدار  $f(3) + f(-3)$  کدام است؟

راهنمایی:  $(F(\omega) = \int_{-\infty}^{\infty} f(x)e^{-i\omega x} dx)$

(۱)  $3e^{-10}$

(۲)  $5e^{-10}$

(۳)  $3e^{-6}$

(۴)  $5e^{-6}$

۳۲- برای حل مسئله موج زیر تغییر متغیر  $u(x, y) = v(x, y) + w(x, y)$  را چنان به کار می گیریم که

$v_x(0, t) = v_x(\pi, t) = 0$  . اگر  $v(x, t) = \frac{1}{4}G_0(t) + \sum_{n=1}^{\infty} G_n(t) \cos nx$  جواب مسئله متناظر با تغییر

متغیر باشد، آنگاه  $G_n(t)$  ,  $(n \geq 1)$  در کدام معادله دیفرانسیل صدق می کند؟

$$\begin{cases} u_{tt} = 9 u_{xx}, & 0 < x < \pi, t > 0 \\ u(x, 0) = u_t(x, 0) = u_x(0, t) = 0 \\ u_x(\pi, t) = \pi t^2, & t \geq 0 \end{cases}$$

(۲)  $G_n''(t) + 9n^2 G_n(t) = \frac{2(-1)^n}{n}$

(۱)  $G_n''(t) + 9n^2 G_n(t) = \frac{2(-1)^n}{n^2}$

(۴)  $G_n''(t) + n^2 G_n(t) = \frac{2(-1)^{n+1}}{n}$

(۳)  $G_n''(t) + 9n^2 G_n(t) = \frac{2(-1)^{n+1}}{n^2}$

۳۳- مقدار  $\int_0^{2\pi} \frac{d\theta}{3 - 2 \cos \theta + \sin \theta}$  ، کدام است؟

(۱)  $\pi$

(۲)  $\frac{4\pi}{3}$

(۳)  $2\pi$

(۴)  $\frac{7\pi}{3}$



۳۴- مقدار  $\oint_{|z|=2} \frac{\cosh(iz)}{z^2 + 4z + 3} dz$  ، کدام است؟

(۱)  $\pi \cosh(i)$

(۲)  $\pi i \cos(1)$

(۳)  $\pi \cosh(1)$

(۴)  $\pi i \cos h(1)$

۳۵- نگاشت مختلط  $w$  که ناحیه بین خطوط  $y = x$  و  $y = 0$  واقع در ربع اول صفحه مختصات را به درون دایره واحد بنگارد، کدام است؟

(۱)  $w = \frac{z^4 + i}{z^4 + 1}$

(۲)  $w = \frac{z^4 - i}{z^4 + i}$

(۳)  $w = \frac{z^4 + 1}{z^4 - 1}$

(۴)  $w = \frac{z^4 - 1}{z^4 + 1}$

۳۶- فرض کنید  $A, B$  و  $C$  سه پیشامد با اطلاعات زیر باشند.

ب -  $P(A \cap \bar{B} \cap C) = 0,15$

الف -  $P(\bar{A} \cap B \cap C) = 0,13$

د -  $P(B) = 3 P(A)$

ج -  $P(C|A \Delta B) = 0,5$

هـ -  $A$  و  $B$  مستقل از هم باشند.

مقدار  $P(A)$  کدام است؟ (  $A \Delta B$  تفاضل متقارن است.)

(۱)  $0,2$

(۲)  $0,3$

(۳)  $\frac{1}{3}$

(۴)  $\frac{1}{4}$

۳۷- دستگاهی به طور مداوم فعالیت‌های لرزه‌ای را در یک منطقه دورافتاده اندازه‌گیری می‌کند. زمان تا خرابی این دستگاه ( $T$ ) دارای توزیع نمایی با میانگین ۳ است. از آن جایی که دستگاه در طول دو سال اول کار خود بازرسی نمی‌شود، زمان کشف خرابی آن  $X = \text{Max}(T, 2)$  است. امید ریاضی  $X$  کدام است؟

(۱)  $2 + \frac{1}{3} e^{-6}$

(۲)  $2 + 3e^{-\frac{2}{3}}$

(۳)  $2 - 2e^{-\frac{2}{3}}$

(۴)  $5$

۳۸- فرض کنید  $X$  و  $Y$  دارای تابع احتمال توأم زیر باشند.  $P(0 < X + Y < \frac{1}{4})$  کدام است؟

$$f_{X,Y}(x,y) = 2I_{(0,y)}(x)I_{(0,y)}(y)$$

(۱)  $\frac{1}{2}$

(۲)  $\frac{1}{4}$

(۳)  $\frac{1}{8}$

(۴)  $\frac{1}{16}$

۳۹- فرض کنید  $X_1$  و  $X_2$  متغیرهای تصادفی مستقل از توزیع زیر باشند.

$$P(X_i = 1) = P(X_i = -1) = \frac{1}{4}, \quad i = 1, 2$$

کدام مورد نادرست است؟

(۱)  $E(X_1^2) = 1$

(۲)  $Cov(X_1, X_2) = 0$

(۳)  $X_1 + X_2$  و  $X_1$  مستقل هستند.

(۴)  $X_1, X_2$  و  $X_1 X_2$  مستقل هستند.

۴۰- در یک مدل رگرسیون چندگانه با ۳ متغیر پیشگو و  $n = 208$  داده، مقادیر  $MSR = 94.746$  و

$MSE = 69.154$  حاصل شده است. کدام مورد درست است؟ (سطح اطمینان ۹۵ درصد و

$$F_{0.95, 3, \infty} = 2.6$$

(۱) آماره  $F$  برابر  $1/37$  و وجود رابطه خطی بین متغیرهای پیشگو و وابسته رد نمی‌شود.

(۲) آماره  $F$  برابر  $1/73$  و وجود رابطه خطی بین متغیرهای پیشگو و وابسته رد می‌شود.

(۳) آماره  $F$  برابر  $1/73$  و وجود رابطه خطی بین متغیرهای پیشگو و وابسته رد نمی‌شود.

(۴) آماره  $F$  برابر  $1/37$  و وجود رابطه خطی بین متغیرهای پیشگو و وابسته رد می‌شود.

مدارهای الکتریکی (۱ و ۲):

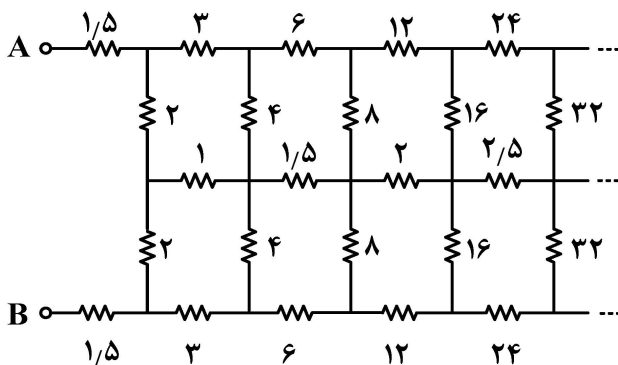
۴۱- مقاومت معادل دیده‌شده از سری‌های  $A$  و  $B$ ، چند اهم است؟ (واحد مقاومت‌ها اهم است).

(۱) ۴

(۲) ۶

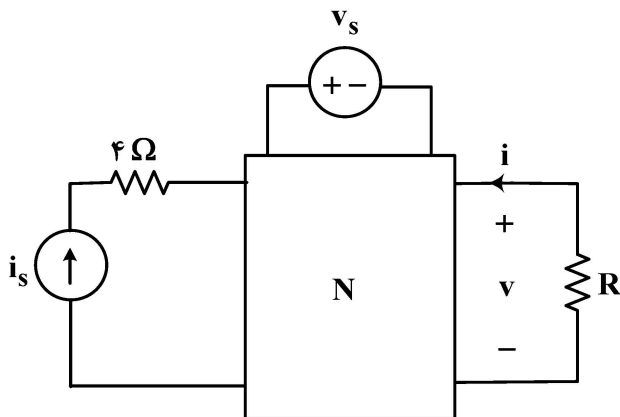
(۳) ۱۲

(۴)  $\infty$



۴۲- در مدار زیر با جواب یکتا،  $N$  مقاومتی، خطی و بدون منابع مستقل است. هرگاه رابطه  $v_i$  در این مدار به ازای  $v_s = \cos t$

و  $i_s = \frac{1}{4}$  به صورت  $4v - \lambda i - 2 + 2 \cos t = 0$  باشد، رابطه  $v_i$  به ازای  $v_s = \sin t$  و  $i_s = 1$  کدام است؟



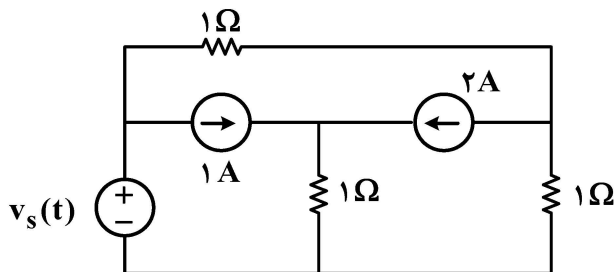
(۱)  $4v - \lambda i + 4 + 2 \sin t = 0$

(۲)  $4v - \lambda i - 2 + \cos t = 0$

(۳)  $2v - 4i - 2 + \sin t = 0$

(۴)  $2v - \lambda i - 1 + \sin t = 0$

۴۳- در مدار زیر، پارامترهای مدار معادل تونن از دو سر منبع ولتاژ  $v_s$  کدامند؟



(۱)  $R_{Th} = 2 \Omega, V_{Th} = 4 V$

(۲)  $R_{Th} = 3 \Omega, V_{Th} = 4 V$

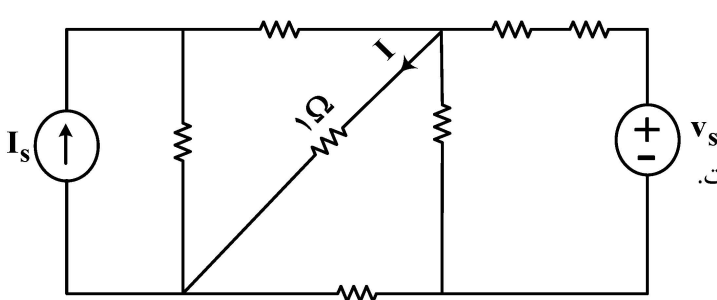
(۳)  $R_{Th} = 3 \Omega, V_{Th} = -4 V$

(۴)  $R_{Th} = 2 \Omega, V_{Th} = -4 V$

۴۴- در مدار زیر، همه مقاومت‌ها خطی و مثبت هستند. هنگامی که  $v_s = 4 V, I_s = 4 A$  باشد، توان در مقاومت

$1 \Omega$  برابر ۴ وات و هنگامی که  $v_s = 8 V$  و  $I_s = 4 A$  است، مقاومت  $1 \Omega$  توان ۹ وات مصرف می‌کند. توان

این مقاومت هنگامی که  $v_s = 12 V$  و  $I_s = 8 A$  باشد، چند وات است؟



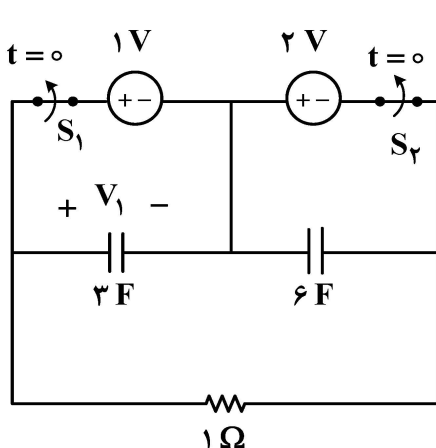
(۱) ۱

(۲) ۵

(۳) ۲۵

(۴) با اطلاعات داده‌شده قابل محاسبه نیست.

۴۵- در مدار زیر، در لحظه  $t = 0$ ، دو کلید  $S_1$  و  $S_2$  باز می‌شوند. معادله ولتاژ  $V_1$  برای  $t > 0$  کدام است؟



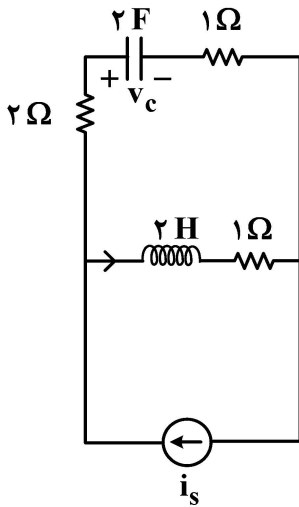
(۱)  $2e^{-\frac{t}{2}} - 1$

(۲)  $2(e^{-\frac{t}{2}} - 1)$

(۳)  $1 + e^{-\frac{t}{2}}$

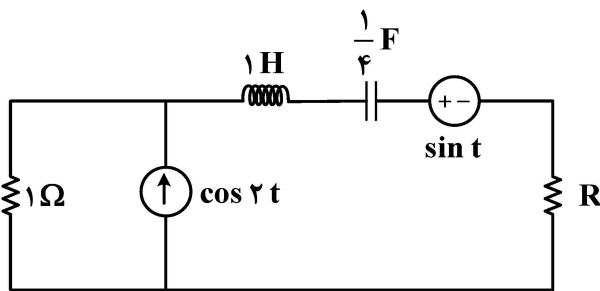
(۴)  $e^{-\frac{t}{2}}$

۴۶- در مدار زیر،  $\frac{dv_c}{dt} (0^+)$  چند ولت بر ثانیه است؟  $i_s(t) = 2 \cos t u(t) + 3$



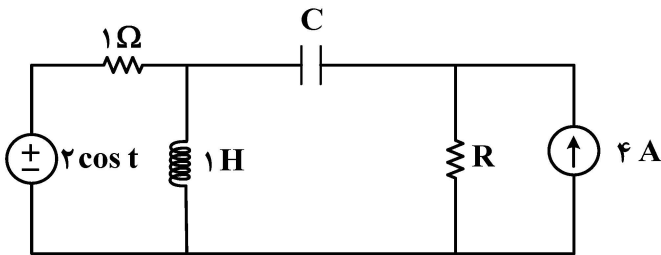
- (۱) ۲
- (۲) ۱
- (۳) صفر
- (۴) -۱

۴۷- توان متوسط مقاومت R در مدار زیر، به ازای  $R = 2 \Omega$ ، برابر  $P_1$  و بیشترین توان متوسطی که منبع  $\cos 2t$  به R می‌تواند بدهد (وقتی منبع  $\sin t$  را صفر بگیریم) برابر  $P_2$  است. نسبت  $\frac{P_1}{P_2}$  کدام است؟ (مدار در حالت دائمی است).



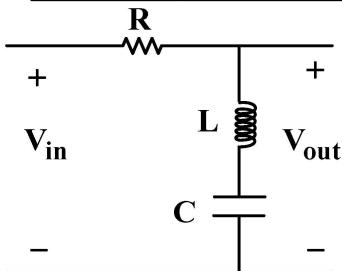
- (۱)  $\frac{3}{4}$
- (۲)  $\frac{4}{3}$
- (۳)  $\frac{3}{2}$
- (۴)  $\frac{16}{9}$

۴۸- در مدار زیر، ظرفیت خازن C، چند فاراد باشد تا بیشترین توان متوسط، به مقاومت نامعلوم R تحویل داده شود؟



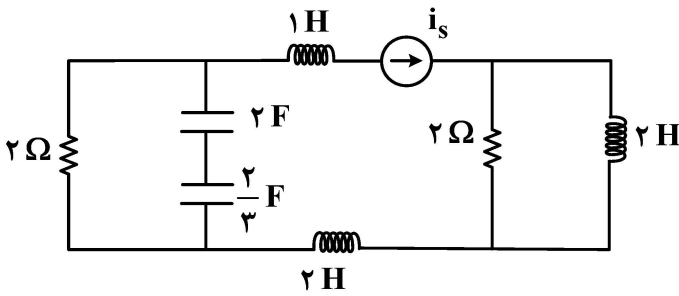
- (۱) ۲
- (۲) ۳
- (۳) ۴
- (۴) بستگی به مقدار R دارد.

۴۹- مدار زیر، چه نوع فیلتری است؟



- (۱) میان‌گذر
- (۲) بالاگذر
- (۳) پایین‌گذر
- (۴) میان‌نگذر

۵۰- فرکانس‌های طبیعی مدار زیر، کدام است؟



- (۱) -۱ و صفر
- (۲) -۱ و -۱
- (۳) -۱ و -۱ و صفر
- (۴) -۱ و -۱ و صفر و صفر

۵۱- در یک گراف مسطح با ۵ شاخه داریم:

$$\begin{pmatrix} v_1 \\ v_2 \\ v_3 \\ v_4 \\ v_5 \end{pmatrix} = \begin{pmatrix} 1 \\ -1 \\ 0 \\ 0 \\ 0 \end{pmatrix} v_1 + \begin{pmatrix} 0 \\ 1 \\ 1 \\ 0 \\ 1 \end{pmatrix} v_3 + \begin{pmatrix} 0 \\ 1 \\ 0 \\ 1 \\ 1 \end{pmatrix} v_4$$

کدام مورد، نادرست است؟

- (۱) این گراف، ۳ گره دارد.
- (۲) این گراف، ۲ شاخه دارد.
- (۳) جریان شاخه‌های ۲ و ۵، مستقل هستند.
- (۴) ولتاژ شاخه‌های ۱، ۳، و ۴، مستقل هستند.

۵۲- در مداری با معادلات حالت  $\dot{\mathbf{x}} = \mathbf{A}\mathbf{x}$  داریم:  $\mathbf{A} = \begin{bmatrix} -1 & 5 \\ 0 & k \end{bmatrix}$ . کدام گزاره نادرست است؟

- (۱) مدار برای  $k < 0$  پایدار است. (جزء حقیقی فرکانس‌های طبیعی، منفی است).
- (۲) مدار به ازای هیچ مقدار  $k$ ، فرکانس طبیعی موهومی خالص ندارد.
- (۳) مدار به ازای هیچ مقدار  $k$ ، فرکانس طبیعی صفر ندارد.
- (۴) مدار به ازای همه مقادیر  $k$ ، مرتبه دوم است.

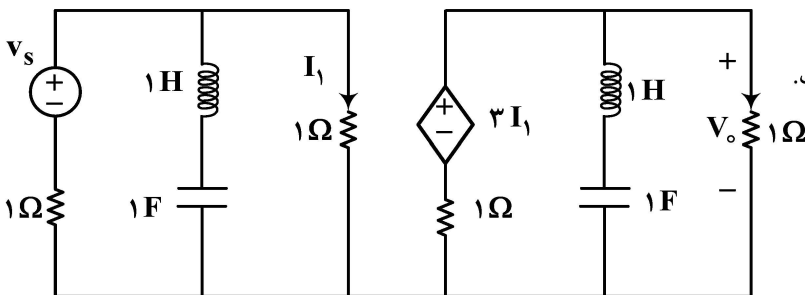
۵۳- در مدار زیر، کدام مورد، در خصوص تابع شبکه  $H(s) = \frac{V_o(s)}{V_s(s)}$ ، نادرست است؟

(۱) برای ورودی  $v_s(t) = \cos t u(t)$ ، پاسخ حالت صفر  $V_o(t)$ ، صفر است.

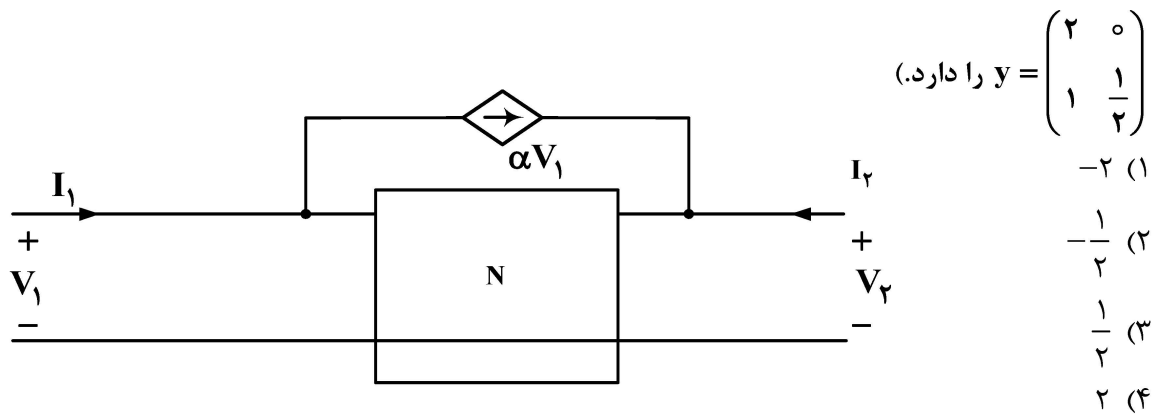
(۲) تابع شبکه، قطب حقیقی ندارد.

(۳) تابع شبکه، ۴ قطب دارد.

(۴) درجه صورت، از مخرج کمتر است.



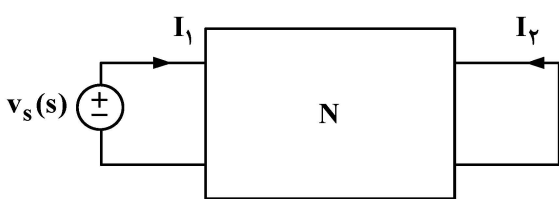
۵۴- در مدار زیر،  $\alpha$  چقدر باشد تا دو قطبی کلی مدل  $Z$  نداشته باشد؟ (دو قطبی  $N$ ، توصیف ادمیتانس



۵۵- دو دو قطبی  $N$  متشکل از عناصر RLC خطی تغییرناپذیر با زمان با پارامتر هایبرید  $h_{11} = \frac{1+6s}{-3s}$ ، به صورت

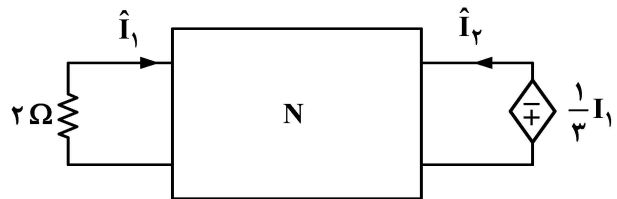
زیر به یکدیگر متصل شده‌اند. به ازای  $I_1 \neq 0$ ، اگر  $\hat{i}_1(t) = u(t)$  باشد، جریان  $i_2(t)$  کدام است؟

(یادآوری:  $\begin{pmatrix} v_1 \\ I_2 \end{pmatrix} = \begin{bmatrix} h_{11} & h_{12} \\ h_{21} & h_{22} \end{bmatrix} \begin{pmatrix} I_1 \\ v_2 \end{pmatrix}$ )



$\delta(t)$  (۴)

$u(t)$  (۳)

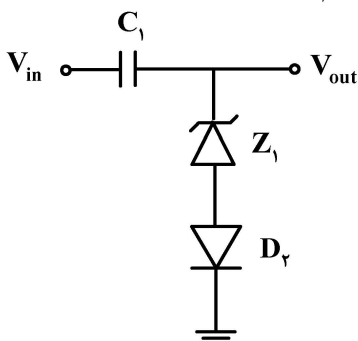


$tu(t)$  (۲)

$t^2u(t)$  (۱)

الکترونیک (۲۰) و سیستم‌های دیجیتال ۱:

۵۶- در مدار شکل زیر، در لحظه  $t = 0$ ، ولتاژ دو سر خازن صفر ولت است. ولتاژ روشن شدن دیود زبر  $Z_1$  صفر بوده و ولتاژ شکست آن  $2/3$  ولت است. اگر ورودی یک سیگنال سینوسی با دامنه ۴ ولت باشد، حداکثر مقدار مطلق ولتاژ خروجی  $V_{out}$  ( $|V_{out}|$ ) در حالت دائمی بر حسب ولت کدام است؟



۲ (۱)

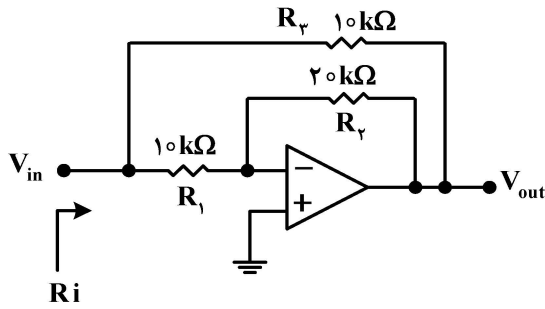
۳ (۲)

۴ (۳)

۵ (۴)

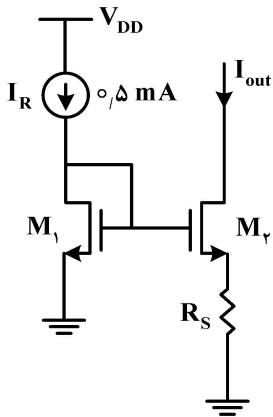
$V_{Z1} = 2/3 \text{ V}, V_{D1, on} = 0.7 \text{ V}$

۵۷- در مدار زیر، آپ امپ ایده آل فرض می شود. مقاومت ورودی  $R_i$ ، چند کیلو اهم است؟



- (۱) صفر
- (۲) ۲/۵
- (۳) ۷/۵
- (۴) ۱۰

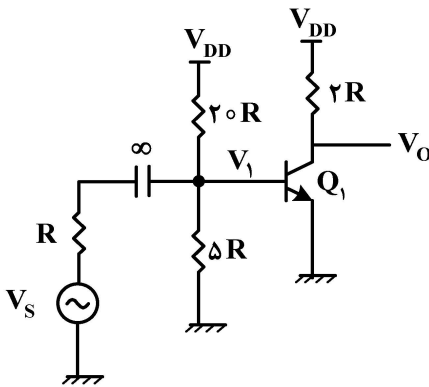
۵۸- در مدار شکل زیر همه ترانزیستورها در ناحیه فعال، بایاس شده اند. به ازای چه مقداری از مقاومت  $R_S$  بر حسب اهم، مقدار جریان خروجی  $I_{out}$  برابر ۲ میلی آمپر، خواهد بود؟



$$\begin{aligned} \mu_n C_{ox} (W/L)_1 &= 16 \text{ mA/V}^2 \\ \mu_n C_{ox} (W/L)_2 &= 100 \text{ mA/V}^2 \\ \lambda = \gamma &= 0 \end{aligned}$$

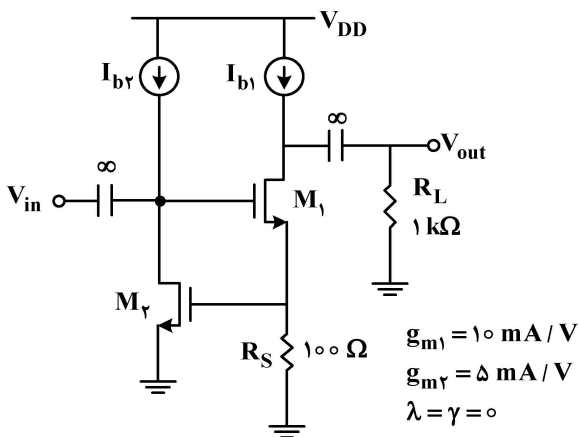
- (۱) ۲۵
- (۲) ۵۰
- (۳) ۷۵
- (۴) ۱۰۰

۵۹- با فرض آنکه ترانزیستور در ناحیه خطی بایاس شده و  $\beta = 100$ ،  $V_A = \infty$  و  $V_1 = \frac{4}{V}$  باشد، بهره  $\frac{V_O}{V_S}$  تقریباً کدام است؟



- (۱) -۵۷
- (۲) -۹۱
- (۳) -۸۲
- (۴) -۱۰۰

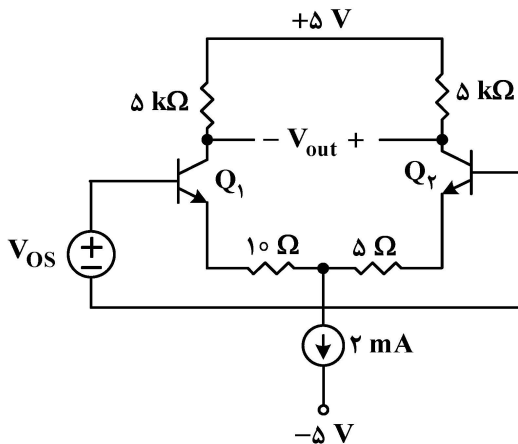
۶۰- در مدار شکل زیر همه ترانزیستورها در ناحیه اشباع بایاس شده و منابع جریان ایده آل هستند. مقدار بهره ولتاژ  $A_v = \frac{V_{out}}{V_{in}}$  آن، کدام است؟



$$\begin{aligned} g_{m1} &= 10 \text{ mA/V} \\ g_{m2} &= 5 \text{ mA/V} \\ \lambda = \gamma &= 0 \end{aligned}$$

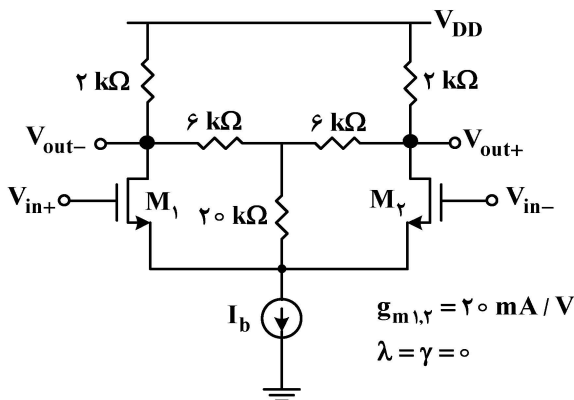
- (۱) ۲۰
- (۲) ۱۵
- (۳) ۱۰
- (۴) ۵

۶۱- در تقویت کننده دیفرانسیل داده شده، با فرض تقارن کامل  $Q_1$  و  $Q_2$ ، مقدار ولتاژ آفست ورودی چند میلی ولت است؟



- (۱) -۵
- (۲) صفر
- (۳) +۵
- (۴) +۱۰

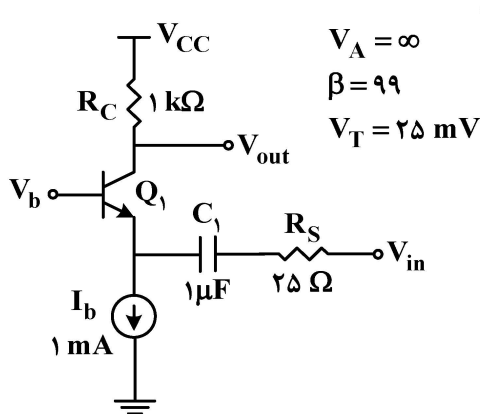
۶۲- در مدار شکل زیر، همه ترانزیستورها در ناحیه فعال بایاس شده اند و منبع جریان  $I_b$  ایده آل است. مقدار



بهره ولتاژ  $A_d = \frac{V_{out+} - V_{out-}}{V_{in+} - V_{in-}}$  آن، کدام است؟

- (۱) ۴۰
- (۲) ۳۰
- (۳) ۲۰
- (۴) ۱۰

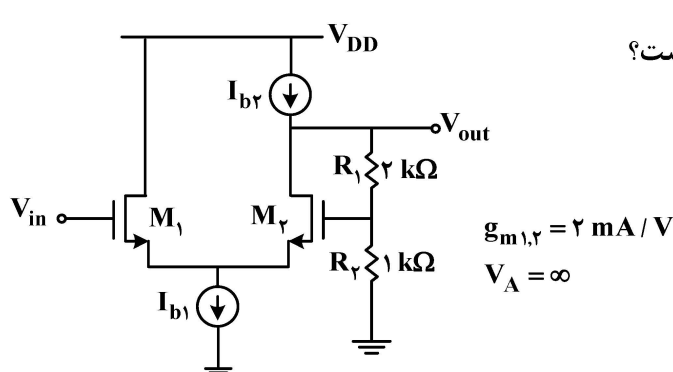
۶۳- در مدار شکل زیر، ترانزیستور  $Q_1$  در ناحیه فعال بایاس شده و منبع جریان  $I_b$  ایده آل است. مقدار فرکانس



قطع  $-3\text{dB}$  پایین بهره ولتاژ چند کیلوهرتز بر ثانیه است؟

- (۱) ۱۰
- (۲) ۲۰
- (۳) ۳۰
- (۴) ۴۰

۶۴- در مدار شکل زیر، همه ترانزیستورها در ناحیه اشباع بایاس شده اند و منبع جریان  $I_b$  ایده آل است. مقدار

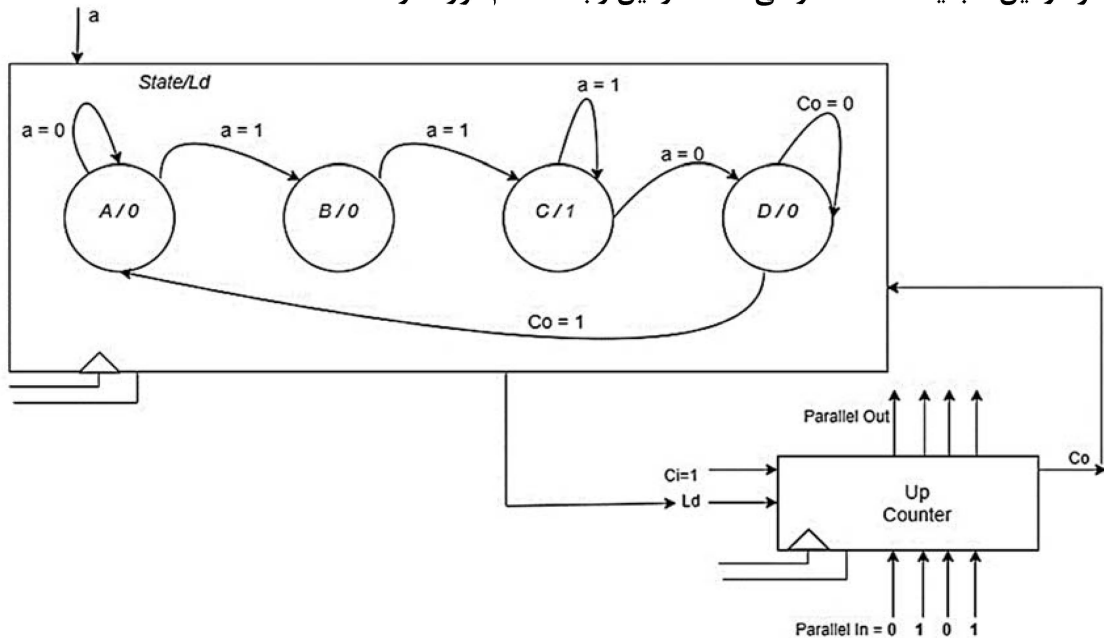


بهره ولتاژ  $A_v = \left| \frac{V_{out}}{V_{in}} \right|$  آن، تقریباً کدام است؟

- (۱) ۱
- (۲) ۱/۵
- (۳) ۲
- (۴) ۳

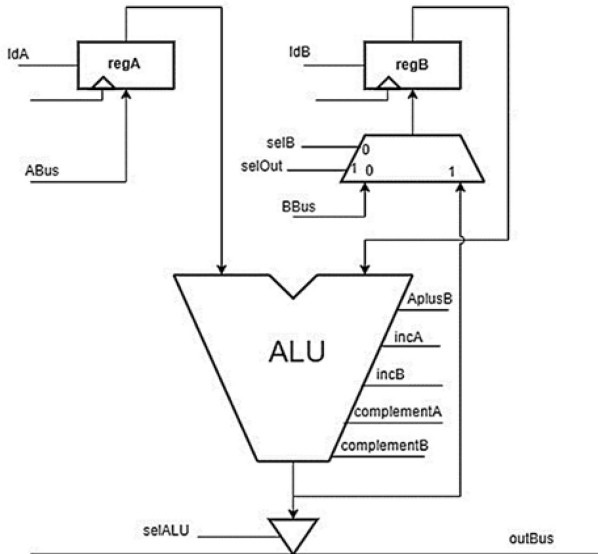


۶۵- مدار زیر از یک شمارنده (counter) و یک ماشین حالت (state machine) تشکیل شده است. ماشین حالت ورودی Ld را برای شمارنده صادر می‌کند که باعث parallel loading در شمارنده می‌شود. از طرفی شمارنده وقتی که به مقدار باینری ۱۱۱۱ برسد، خروجی Co را که ورودی ماشین حالت است، صادر می‌کند. هر دو این‌ها با یک کلاک کار می‌کنند. در این رابطه کدام مورد درست است؟



- ۱) پس از دریافت دنباله ۱۱۰ بر روی ورودی a و پس از یازده کلاک، مدار دوباره جستجو برای دنباله ۱۱۰ به روی a را آغاز می‌کند.
- ۲) پس از دریافت دنباله ۱۱۰ بر روی ورودی a به اندازه ۵ کلاک صبر می‌کند و دوباره به دنبال دنباله ۱۱۰ می‌گردد.
- ۳) مدار در ۱۵ کلاک پشت سر هم، به دنبال ۱۱۰ می‌گردد.
- ۴) مدار پس از ۱۷ کلاک به حالت اولیه برمی‌گردد.

۶۶- در شکل زیر، در آغاز کار، داده‌های  $A_{in}$  و  $B_{in}$  بر روی  $ABus$  و  $BBus$  قرار دارند. برای انجام محاسبه  $A_{in} - B_{in}$  و قرار دادن نتیجه روی  $outBus$  چه کنترل سیگنال‌هایی و در چه زمان‌هایی باید  $issue$  (فعال) شوند؟ (ورودی‌های کنترل  $ALU$  در سمت راست آن نشان داده شده است).



Clock 1 : ldA, ldB, selB (۱)

Clock 2 : incB, selOut, ldB

Clock 3 : AplusB, selOut, ldB

Clock 4 : incA, selALU

Clock 1 : ldA, ldB, selB (۲)

Clock 2 : incB, selOut, ldA

Clock 3 : complementB, selOut, ldB

Clock 4 : AplusB, selALU

Clock 1 : ldA, ldB, selB (۳)

Clock 2 : complementB, selOut, ldB

Clock 3 : incB, selOut, ldB

Clock 4 : AplusB, selALU

Clock 1 : ldA, ldB, selOut (۴)

Clock 2 : complementA, selOut, ldA

Clock 3 : incA, selOut, ldA

Clock 4 : AplusB, selALU

۶۷- توصیف زیر چه رفتاری دارد؟

```

module dff (input clk, rst, din, output reg q)
  always@(posedge clk, rst) begin
    if(rst) q <= 1'b0;
    else q <= din;
  end
endmodule

```

(۱) با یک شدن  $clk$ ، صفر به خروجی انتقال پیدا می‌کند و با یک شدن ریست  $rst$ ، یک به خروجی انتقال پیدا می‌کند.

(۲) با یک شدن  $rst$ ، خروجی صفر می‌شود و با صفر شدن آن ورودی  $din$  به خروجی  $q$  انتقال پیدا می‌کند.

(۳) این مدار یک D Flip-Flop با asynchronous reset است.

(۴) این مدار یک D Flip-Flop با synchronous reset است.

۶۸- پس از سنتز، انتظار می رود مدار به چه المان‌هایی تبدیل شود؟

```

module alu8 (input [7:0] A, B, input [2:0] F, output [7:0] regW);
  always @(A, B, F) begin
    if (F == 3'b001) W = A + B;
    else if (F == 3'b010) W = {1'b0, A[7:1]};
    else if (F == 3'b011) W = A;
    else if (F == 3'b100) W = ~A;
    else if (F == 3'b111) W = A & B;
  end
endmodule
    
```

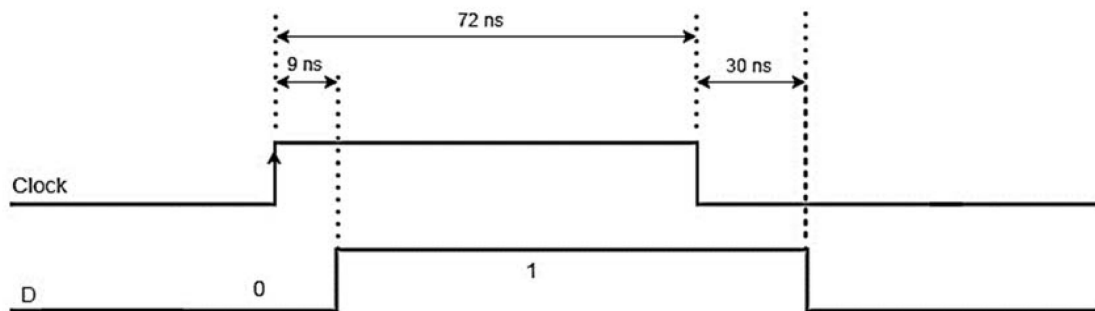
(۱) ۴۰۰۰ عدد گیت NAND

(۲) هشت عدد Latch و دوازده عدد NAND

(۳) بین ۲۰۰ تا ۳۰۰ عدد گیت‌های NAND و NOR

(۴) بین ۱۰۰ تا ۲۰۰ گیت‌های NAND و NOR و بین ۴ تا ۱۰ عدد Latch

۶۹- برای ساختن Rising Edge Trigger D Flip-Flop با ورودی‌های D، clk و خروجی Q، از دو لایه cross-coupled NAND استفاده می‌شود. برای ساخت هر NAND از دو ترانزیستور NMOS و دو ترانزیستور PMOS استفاده می‌شود. در این سؤال، از NMOS و PMOS‌های با تأخیر #۵ns و #۷ns استفاده شده است. برای نوشتن مقدار صفر در خروجی با اعمال ورودی D و کلاک (clock) طبق شکل موج زیر، کدام مورد درست است؟



(۱) خروجی Q ابتدا صفر و سپس یک می‌شود. (۲) مقدار صفر به خروجی Q می‌رسد.

(۳)  $t_{hold}$  رعایت نشده است. (۴)  $t_{setup}$  رعایت نشده است.

۷۰- معادله زیر به صورت Minimal Realization با Not، ۲-input Nand و ۳-input Nand با تأخیرهای

به ترتیب ۴، ۵ و ۶ نانوثانیه ساخته شده است. کدام عبارت درست است؟

$$F(a, b, c, d) = \sum m(3, 7, 12, 13, 14, 15)$$

(۱) وقتی a از صفر به یک عوض می‌شود، یک پالس ناخواسته به اندازه ۱۵ نانوثانیه روی خروجی اتفاق می‌افتد.

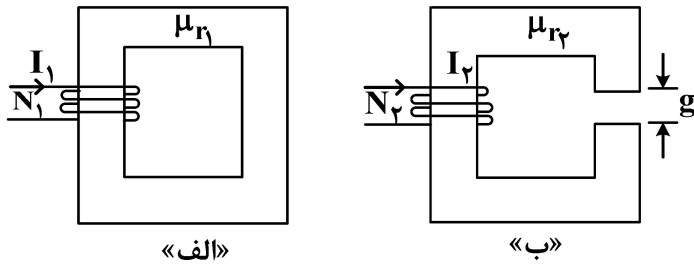
(۲) وقتی a از یک به صفر عوض می‌شود، یک پالس منفی ناخواسته به اندازه ۵ نانوثانیه روی خروجی اتفاق می‌افتد.

(۳) هرگاه a از یک به صفر عوض شود، خروجی همچنان صفر می‌ماند.

(۴) تغییر ورودی b می‌تواند باعث potential hazard شود.

ماشین‌های الکتریکی (۱و۲) و تحلیل سیستم‌های انرژی الکتریکی ۱:

۷۱- در مدارهای مغناطیسی زیر، مشخصه هسته‌های آهنی خطی است و ضریب نفوذپذیری مغناطیسی هسته شکل «ب» دو برابر ضریب نفوذپذیری مغناطیسی هسته شکل «الف» است. سطح مقطع و طول هسته آهنی در هر دو شکل برابر است و از شکستگی و پراکندگی شار در فاصله هوایی و اطراف سیم‌پیچی‌ها صرف‌نظر می‌شود. اگر  $B_1$  و  $B_2$  به ترتیب چگالی شار مغناطیسی در شکل‌های «الف» و «ب» باشد، کدام مورد همواره



$N_1 = N_2, I_1 = I_2, g > 0$

درست است؟

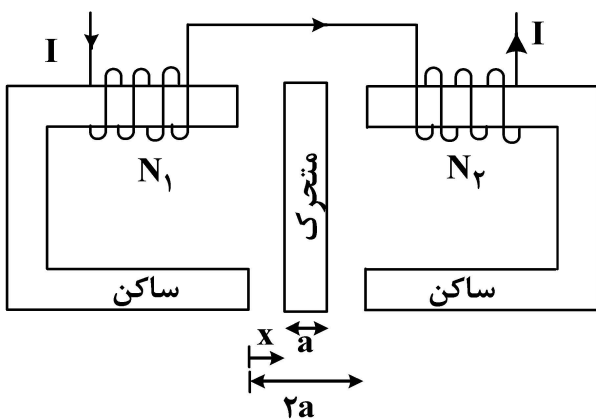
(۱)  $B_2 > 2B_1$

(۲)  $B_2 < 2B_1$

(۳)  $2B_2 < B_1$

(۴)  $2B_2 > B_1$

۷۲- در سیستم الکترومغناطیسی زیر، سطح مقطع تمام قسمت‌های مدار یکسان است و از شکستگی شار در فواصل هوایی و مقاومت مغناطیسی قسمت‌های آهنی صرف‌نظر می‌شود. اگر  $N_2 = 2N_1$  و قسمت متحرک در راستای x بتواند آزادانه و به صورت آرام حرکت کند، به ازای کدام مقدار x، نیرویی به متحرک وارد نمی‌شود؟



(۱)  $\frac{1}{3}a$

(۲)  $\frac{1}{2}a$

(۳)  $\frac{2}{3}a$

(۴) صفر

۷۳- یک ژنراتور DC تحریک مستقل ۶ قطبی با سیم‌پیچی موجی ساده، دارای آرمیچری با  $360$  هادی و مقاومت معادل  $1/8$  اهم است. این ژنراتور در سرعت نامی، ولتاژ داخلی  $720$  ولت تولید و بار نامی  $5/4$  اهمی را تغذیه می‌کند. اگر سیم‌پیچی روتور را باز کرده و با همان تعداد قطب به صورت روی هم ساده سیم‌پیچی کنیم، مقاومت معادل آرمیچر و حداکثر جریانی که می‌توان از این ژنراتور در شرایط جدید گرفت، به ترتیب، چند اهم و چند آمپر است؟ (از اثر عکس‌العمل آرمیچر و افت جاروبک و کموتاتور در هر دو حالت صرف‌نظر شود.)

(۱)  $300$  و  $0.2$

(۲)  $300$  و  $1.2$

(۳)  $600$  و  $0.2$

(۴)  $600$  و  $1.2$

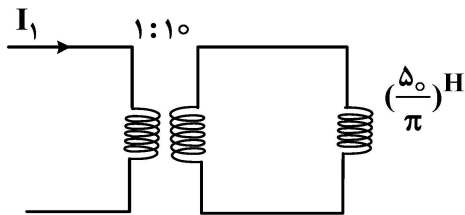
۷۴- در یک مولد شنت، منحنی بی‌باری به شکل  $E_a = \frac{600 I_f}{3 + I_f}$  تعریف می‌شود. اگر مقاومت‌های مدار تحریک و مدار آرمیچر به ترتیب  $49 \Omega$  و  $1 \Omega$  باشد، حداکثر جریان بار چند آمپر است و در چه جریان میدانی (برحسب آمپر) رخ می‌دهد؟

- (۱)  $120$  و  $2$   
 (۲)  $120$  و  $3$   
 (۳)  $150$  و  $2$   
 (۴)  $150$  و  $3$

۷۵- یک موتور dc سری  $600$  ولتی، باری را در سرعت  $1000$  رادیان بر ثانیه می‌چرخاند. جریان میدان  $100$  آمپر است. هر کدام از مقاومت‌های آرمیچر و میدان  $1$  اهم است. وقتی موتور ساکن است (قفل شده)، چه گشتاوری برحسب نیوتن-متر تولید می‌شود؟ (مدار مغناطیسی خطی فرض شود.)

- (۱)  $3600$   
 (۲)  $4200$   
 (۳)  $5400$   
 (۴)  $6800$

۷۶- در یک ترانسفورماتور تک‌فاز  $2000/200$  ولت،  $50$  هرتز، از تلفات اهمی و هسته و همچنین پراکندگی شار در اولیه و ثانویه صرف‌نظر می‌شود. در شرایط بی‌باری با اعمال ولتاژ نامی  $200$  ولت به اولیه، جریان ورودی  $4$  آمپر می‌شود. اگر بار سلفی  $\frac{50}{\pi}$  هانری به خروجی ترانسفورماتور وصل کنیم (مطابق شکل زیر)، جریان ورودی با اعمال



ولتاژ نامی، چند آمپر خواهد شد؟

- (۱)  $1$   
 (۲)  $2$   
 (۳)  $4/0.4$   
 (۴)  $8$

۷۷- یک ترانسفورماتور دو سیم‌پیچه  $2/2 \text{ kVA}$  و  $220/110 \text{ V}$  مفروض است. سیم‌پیچی A ولتاژ  $220 \text{ V}$  و امپدانس  $0.4 + j0.2$  اهم و سیم‌پیچی B ولتاژ  $110 \text{ V}$  و امپدانس  $0.1 + j0.5$  اهم را دارا است. در ولتاژ و فرکانس اسمی، تلفات هسته  $28 \text{ W}$  است. این ترانسفورماتور به صورت اتوترانسفورماتوری بسته شده و بار به  $220 \text{ V}$  متصل است. ولتاژ ورودی  $330 \text{ V}$  است. برای جریان بار  $3 \text{ A}$  و ضریب توان  $0.8$  پس‌فاز، تنظیم ولتاژ تقریباً چند درصد است؟

- (۱)  $1/2$   
 (۲)  $2/4$   
 (۳)  $3/4$   
 (۴)  $4/6$

۷۸- دو موتور القایی روتور سیم‌پیچی شده  $50 \text{ Hz}$  به صورت زنجیره‌ای (استاتور موتور دومی از روتور موتور اولی تغذیه می‌شود) باری را با هم می‌چرخانند. موتور اولی دارای  $10$  قطب و موتور دومی دارای  $4$  قطب است. اگر دو موتور با یک لغزش کار کنند، سرعت چند دور بر دقیقه است؟

- (۱)  $240$   
 (۲)  $257$   
 (۳)  $360$   
 (۴) اطلاعات مسئله کافی نیست.

۷۹- یک ماشین القایی سه‌فاز  $6$  قطب،  $50$  هرتز توسط یک موتور DC چرخانده می‌شود. توان الکتریکی گرفته‌شده از حلقه‌های لغزان،  $36$  کیلووات با ضریب توان  $0.8$  پس‌فاز است که حدود فرکانس آن  $120$  تا  $240$  هرتز است. بازه سرعت موتور DC، چند دور بر دقیقه است؟

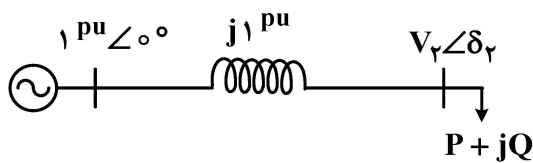
- (۱)  $2400 - 2800$   
 (۲)  $2400 - 3800$   
 (۳)  $1400 - 3800$   
 (۴)  $1200 - 2800$

۸۰- جریان یکی از فازهای روتور یک موتور القایی سه فاز روتور سیم پیچی شده، ۶ قطبی، ۵۰ هرتز به صورت  $i_r = 10\sqrt{2} \sin(2\pi t + \phi_r)$  است. اگر توان عبوری از شکاف هوایی ۹۰ کیلووات باشد، مقاومت هر فاز روتور، چند اهم است؟

- (۱) ۲  
(۲) ۴  
(۳) ۶  
(۴) ۱۰

۸۱- در شبکه دوباس مطابق شکل، فرض کنید توان مصرفی بار به صورت  $P = P_0 + \alpha V_r^2$  و  $Q = Q_0 + \beta V_r$  است. مطابق روش حل پخش بار نیوتن-رافسن  $\begin{bmatrix} \Delta P \\ \Delta Q \end{bmatrix} = J \begin{bmatrix} \Delta \delta \\ \Delta V \end{bmatrix}$ ، ماتریس ژاکوبین J در تکرار اول با فرض

نقطه شروع شناور  $1 \text{ pu} \angle 0^\circ$  برای فازور ولتاژهای مجهول، کدام است؟

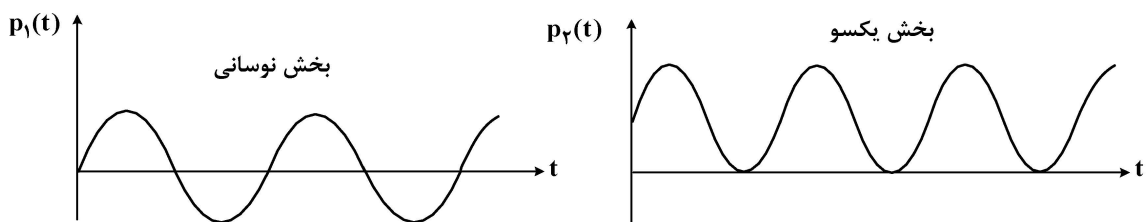


- (۱)  $\begin{bmatrix} 1 & -0.2 \\ 0 & -0.9 \end{bmatrix}$   
(۲)  $\begin{bmatrix} 1 & -0.2 \\ 0 & 0.9 \end{bmatrix}$   
(۳)  $\begin{bmatrix} 1 & 0 \\ 0 & 1 \end{bmatrix}$   
(۴)  $\begin{bmatrix} 1 & 0.2 \\ 0 & 1.1 \end{bmatrix}$

۸۲- یک خط انتقال سه فاز بلند بدون تلفات با ولتاژ خط نامی ۷۶۵ kV و طول ۷۵۰ km در فرکانس ۵۰ Hz وجود دارد. چنانچه قرار باشد در حالت بی باری نسبت ولتاژ ابتدای خط به ولتاژ انتهای خط برابر  $\frac{2\sqrt{3}}{3}$  باشد، اندازه توان راکتیو جبران ساز در سمت انتهای خط چند برابر بارگذاری طبیعی خط (SIL) باید انتخاب شود؟

- (۱)  $\frac{1}{3}$   
(۲)  $\frac{3}{4}$   
(۳)  $\frac{3}{2}$   
(۴) ۳

۸۳- یک بار سه فاز متعادل با امپدانس هر فاز برابر  $Z = (10\sqrt{3} + j10) \Omega$  توسط یک منبع متعادل تغذیه می شود. فرض می شود، توان لحظه ای هر فاز مطابق شکل دارای دو بخش یکسو و نوسانی است. اگر نقطه اوج بخش نوسانی برابر ۵۰۰ وات باشد، آنگاه توان ظاهری سه فاز تحویلی به بار چند ولت آمپر است؟



- (۱) ۵۰۰  
(۲) ۱۵۰۰  
(۳) ۳۰۰۰  
(۴) ۴۵۰۰

۸۴- در یک شبکه برق سه فاز متعادل با فرکانس  $50 \text{ Hz}$  که در حالت ماندگار بهره‌برداری می‌شود، اگر مقدار مؤثر ولتاژ و جریان هر فاز یک بانک خازنی به ترتیب، برابر  $63 \text{ kV}$  و  $31.5 \text{ A}$  باشد، حداکثر مقدار لحظه‌ای انرژی ذخیره‌شده در هر فاز بانک خازنی چند کیلوژول است؟

(۱)  $12/6$

(۲)  $6/3$

(۳)  $3/15$

(۴)  $1/57$

۸۵- در یک خط انتقال سه فاز ترانسپوز شده با فاصله‌گذاری برابر فازها، چنانچه فاصله فازها از یکدیگر افزایش یابد، مقدار بارگذاری طبیعی خط با فرض ثابت ماندن ولتاژ نامی چه تغییری می‌کند؟

(۱) تغییر نمی‌کند. (۲) افزایش می‌یابد.  
(۳) کاهش می‌یابد. (۴) نمی‌توان اظهار نظر کرد.

سیستم‌های کنترل خطی:

۸۶- یک سیستم خطی تغییرناپذیر با زمان با تابع تبدیل  $G(s) = \frac{k}{(1+T_1s)(1+T_2s)}$ ,  $0 < k, T_1, T_2 < \infty$  را در

نظر بگیرید. اگر  $g(t)$  بیانگر پاسخ ضربه سیستم باشد، انتگرال‌های  $k=0, 1, 2$  را  $I_k = \int_0^{\infty} t^k g(t) dt$

در نظر بگیرید. اگر  $I_0 = 1$  و  $I_1 = 3$  و  $I_2 = 14$  باشد؛ در این صورت  $g(t)$  کدام است؟

(۱)  $e^{-t} - e^{-2t}$

(۲)  $e^{2t} - e^{-t}$

(۳)  $e^{-t} - e^{-\frac{t}{2}}$

(۴)  $e^{-\frac{t}{2}} - e^{-t}$

۸۷- تابع تبدیل حلقه  $G(s)$  را تحت فیدبک واحد منفی در نظر بگیرید. با فرض اینکه  $G(j\omega)|_{\omega=1} = j$  باشد، مقدار فاز حساسیت تابع تبدیل حلقه بسته نسبت به اندازه تابع تبدیل حلقه باز در فرکانس  $\omega = 1$ ، کدام است؟

(۱)  $-\frac{\pi}{2}$

(۲)  $-\frac{\pi}{4}$

(۳)  $\frac{\pi}{4}$

(۴)  $\frac{\pi}{2}$

۸۸- دو سیستم با تابع تبدیل حلقه زیر را در نظر بگیرید:

$$G_1(s) = \frac{k}{s(s+2)(s^2+2s+2)}, \quad k > 0$$

$$G_2(s) = \frac{k}{s(s+4)(s^2+4s+20)}, \quad k > 0$$

محل تلاقی خط عمودی وصل کننده دو قطب مختلط سیستم  $G_1(s)$  با محور حقیقی را با A و محل تلاقی خط عمودی

وصل کننده دو قطب مختلط سیستم  $G_2(s)$  با محور حقیقی را با B نشان می‌دهیم، کدام مورد نا درست است؟

(۱) نقاط A و B محل تقاطع مجانب‌های دو سیستم هستند.

(۲) نقاط A و B نقاط شکست سیستم‌های  $G_1(s)$  و  $G_2(s)$  هستند.

(۳) نقاط A و B تنها نقاط شکست سیستم‌های  $G_1(s)$  و  $G_2(s)$  هستند.

(۴) میزان بهره سیستم  $G_1(s)$  در A از لحاظ عددی کمتر از میزان بهره سیستم  $G_2(s)$  در B است.

۸۹- ورودی  $\sin(\omega t)$  به تابع تبدیل  $G(s) = \frac{1}{(s+1)^2}$  اعمال شده است و خروجی در حالت ماندگار به صورت

$a \cos(\omega t)$  به دست آمده است.  $\omega$  و  $a$  کدام است؟

(۱)  $\omega = 1$  و  $a = -1$

(۲)  $\omega = \pi$  و  $a = 1$

(۳)  $\omega = 1$  و  $a = \pi$

(۴)  $\omega = \pi$  و  $a = -\pi$

۹۰- جدول راث چند جمله‌ای  $(s-1)^3 + a(s-1)^2 + b(s-1) + k = 0$  که در آن  $a$  و  $b$  پارامترهای ثابت هستند،

$s^3$	۱	۱۱	
$s^2$	۹	$-21+k$	
$s^1$	$\frac{40-k}{3}$	$\frac{k}{9}$	۰
$s^0$	$-21+k$	۰	۰

به صورت زیر است:

اگر تابع تبدیل  $G(s) = \frac{k}{s^3 + as^2 + bs}$  در مسیر مستقیم یک حلقه با فیدبک واحد منفی باشد، زمان نشست

۲ درصد و نسبت میرایی قطب‌های غالب سیستم حلقه بسته برای  $k = 120$  تقریباً چه مقداری هستند؟

(۱) ۸ ثانیه و  $\sqrt{\frac{11}{12}}$

(۲) ۸ ثانیه و  $\frac{11}{12}$

(۳) ۴ ثانیه و  $\sqrt{\frac{11}{12}}$

(۴) ۴ ثانیه و  $\frac{11}{12}$



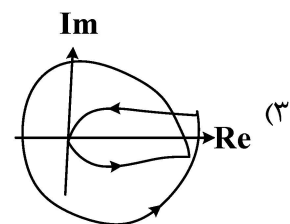
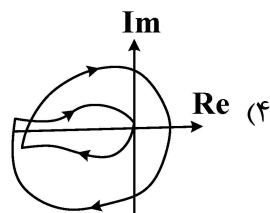
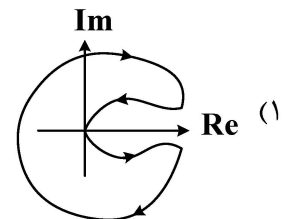
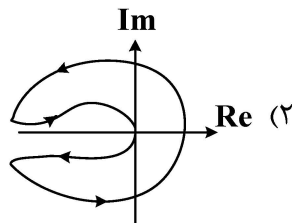
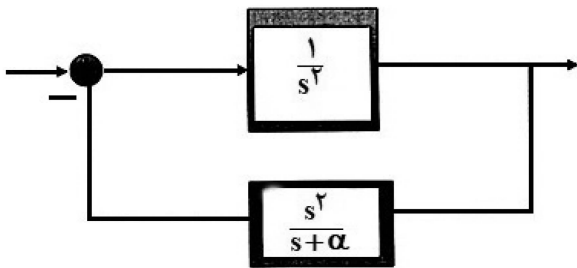
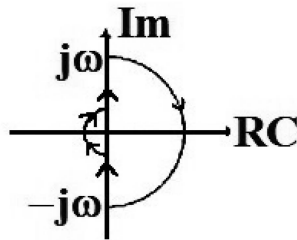
۹۱- تابع تبدیل حلقه - باز سیستم با فیدبک واحد منفی عبارت است از:

$$G(s) = \frac{k(2+sT_1)}{s^2(1+sT_2)}, k > 0, T_1, T_2 > 0$$

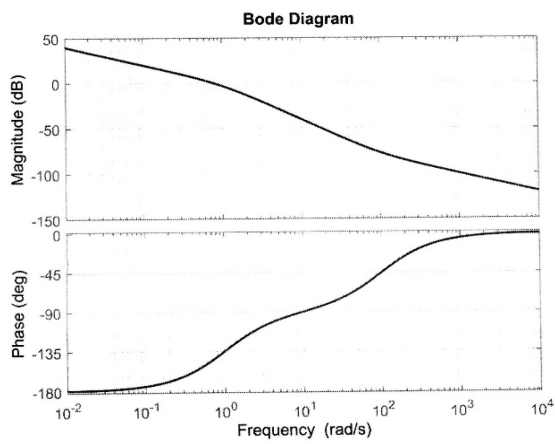
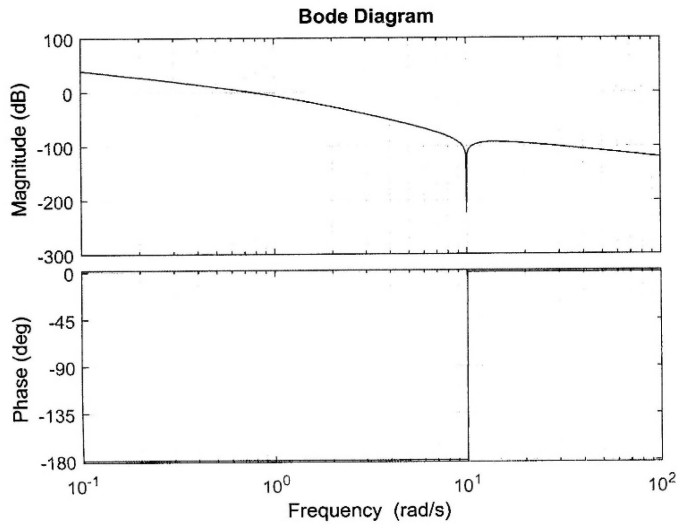
کدام مورد درست است؟

- (۱) سیستم حلقه - بسته به ازای  $T_1 > 2T_2$  همواره پایدار است.
- (۲) پایداری سیستم حلقه - بسته همواره بستگی به مقدار  $k$  دارد.
- (۳) سیستم حلقه - بسته همواره پایدار است.
- (۴) سیستم حلقه - بسته همواره ناپایدار است.

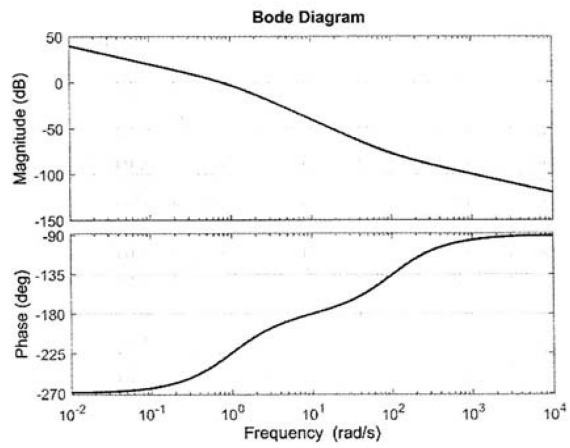
۹۲- در صورتی که کانتور مسیر نایکوئیست به صورت زیر باشد و  $\alpha < 0$ ، دیاگرام نایکوئیست سیستم حلقه بسته به چه صورت است؟



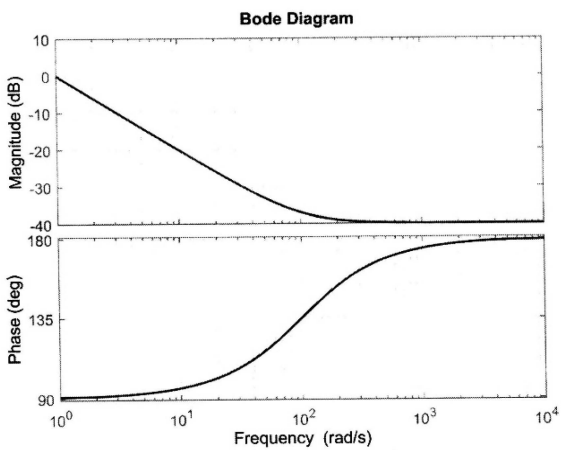
۹۳- نمودار بودی تابع تبدیل  $G(s^2)$  در شکل زیر داده شده است. کدام مورد، بیانگر نمودار بودی متناظر با تابع تبدیل  $G(s)$  است؟



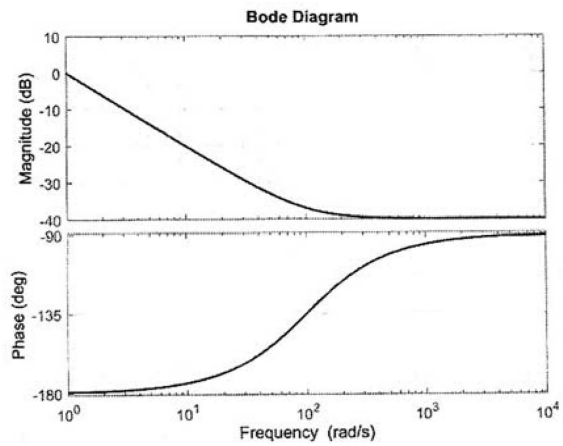
(۲)



(۱)

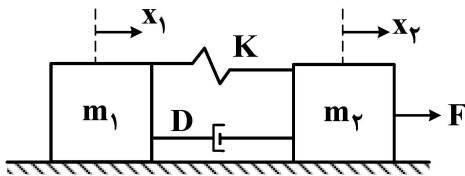


(۴)



(۳)

۹۴- در سیستم زیر، کشیدگی فنر در درازمدت کدام است؟ ( $m_1 = 3m_2$ )



(۱)  $\frac{F}{2k}$

(۲)  $\frac{F}{4k}$

(۳)  $\frac{F}{k}$

(۴)  $\frac{3F}{4k}$

۹۵- سیستم فیدبک واحد منفی با بهره حلقه  $L(s)$  را در نظر بگیرید. در نمودار قطبی قسمت موهومی ( $v$ ) بهره حلقه بر حسب قسمت حقیقی ( $u$ ) آن رسم می شود. می توان نشان داد مکان هندسی اندازه حلقه بسته ثابت

$M_c$  در صفحه  $u-v$  دایره است. معادله دایره متناظر با  $M_c = \frac{1}{\sqrt{2}}$  کدام است؟

(۱)  $(v-1)^2 + u^2 = 2$

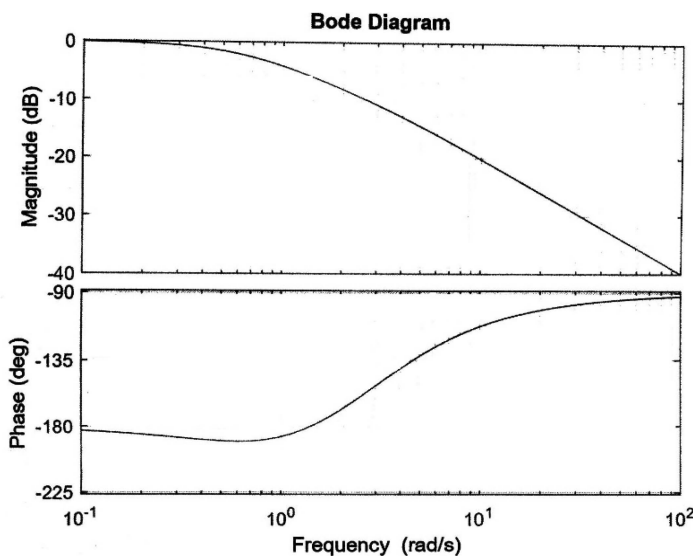
(۲)  $(u-1)^2 + v^2 = 2$

(۳)  $(v-1)^2 + u^2 = 0.5$

(۴)  $(u-1)^2 + v^2 = 0.5$

۹۶- دیاگرام بودی (Bode) تابع تبدیل حلقه یک سیستم فیدبک واحد منفی در شکل نشان داده شده است. کدام

مورد، در خصوص پایداری سیستم حلقه بسته درست است؟



(۱) یک ریشه در سمت راست  $k < k_1$

دو قطب در سمت راست  $k_1 < k < k_2$

پایدار  $k > k_2$

(۲) پایدار  $k < k_1$

دو ریشه در سمت راست  $k_1 < k < k_2$

یک ریشه در سمت راست  $k > k_2$

(۳) پایدار  $k < k_1$

یک ریشه در سمت راست  $k_1 < k < k_2$

دو ریشه در سمت راست  $k > k_2$

(۴) دو ریشه در سمت راست  $k < k_1$

یک ریشه در سمت راست  $k_1 < k < k_2$

پایدار  $k > k_2$

۹۷- تابع تبدیل حلقه یک سیستم فیدبک واحد منفی  $G(s) = \frac{1}{s(s+2)(s+4)}$  است. برای دستیابی به مشخصات

مطلوب (فراجهش کمتر از ۱۵٪ و زمان نشست کمتر از ۴ ثانیه) کنترل کننده‌های زیر پیشنهاد شده‌اند.

$$c_1(s) = k_1 \frac{s+1}{s+2}, \quad c_2(s) = k_2 \frac{s+2}{s+4}, \quad c_3(s) = k_3 \frac{s+3}{s+9/2}$$

برای هر ۳ کنترل کننده مکان هندسی ریشه‌های سیستم حلقه بسته از محل قطب‌های مطلوب عبور می‌کند. کدام مورد، در خصوص عملکرد سیستم درست است؟

(۱) با توجه به عبور مکان هندسی از محل قطب‌های مطلوب، هر ۳ کنترل کننده میزان فراجهش و زمان نشست خواسته شده را تأمین می‌کنند.

(۲) با توجه به آن که نسبت  $\frac{Z}{p}$  برای  $c_3$  از  $c_1$  و  $c_2$  کمتر است، ثابت خطای سرعت برای  $c_3$  کمتر از مقدار آن برای  $c_1$  و  $c_2$  است.

(۳) میزان فراجهش برای  $c_1$  بیشتر از میزان آن برای  $c_2$  و  $c_3$  است.

(۴) میزان فراجهش برای  $c_3$  بیشتر از میزان آن برای  $c_1$  و  $c_2$  است.

### سیگنال‌ها و سیستم‌ها:

۹۸- برای سیستم‌های با ورودی و خروجی پیوسته در زمان، کدام مورد درست است؟

(۱) سیستم می‌تواند هم‌زمان خطی، پایدار و تغییرپذیر با زمان باشد.

(۲) سیستم می‌تواند هم‌زمان بی‌حافظه، ناپایدار و غیرعلی باشد.

(۳) سیستم نمی‌تواند هم‌زمان غیرخطی، علی و تغییرپذیر با زمان باشد.

(۴) سیستم نمی‌تواند هم‌زمان بی‌حافظه، ناپایدار و تغییرپذیر با زمان باشد.

۹۹- سیستم S با ورودی  $x[n]$  و خروجی  $y[n]$  را به صورت زیر در نظر بگیرید. کدام یک از موارد زیر نادرست است؟

( $f[n]$  تابعی مستقل از  $x[n]$  و  $y[n]$  است.)

$$y[n] = x[n] f[n]$$

(۱) S همواره خطی است.

(۲) اگر  $f[n] = 1 + (-1)^n$  باشد، آنگاه S تغییرناپذیر با زمان است.

(۳) اگر  $f[n] = n$  باشد، آنگاه S تغییرپذیر با زمان است.

(۴) اگر  $f[n] = 2$  باشد، آنگاه S تغییرناپذیر با زمان است.

۱۰۰- حاصل انتگرال  $\int_{-0.5}^{0.5} \delta(\sin(\pi t)) dt$ ، کدام است؟ ( $\delta(\cdot)$  نشانگر تابع ضربه است.)

(۱)  $\pi$

(۲) ۱

(۳)  $\frac{1}{\pi^2}$

(۴)  $\frac{1}{\pi}$

۱۰۱- فرض کنید  $y_1(t) = x(t) * h(t)$  و  $y_2(t) = x(4t) * h(4t)$ ، در این صورت:

$$y_2(t) = 4y_1(4t) \quad (۱)$$

$$y_2(t) = y_1(4t) \quad (۲)$$

$$y_2(t) = \frac{1}{4}y_1(4t) \quad (۳)$$

$$y_2(t) = \frac{1}{4}y_1\left(\frac{t}{4}\right) \quad (۴)$$

۱۰۲- فرض کنید  $x(t)$  یک سیگنال متناوب با دوره  $T_0$  و ضرایب سری فوریه  $a_k$  باشد و داریم  $a_k = -a_{k+6}$ .

اگر ضرایب سری فوریه سیگنال  $y(t) = 2x(t) \cos\left(\frac{4\pi}{T_0}t\right)$  با دوره تناوب  $T_0$  را  $b_k$  بنامیم،  $b_4 + b_2$

کدام است؟

$$a_4 + a_0 \quad (۱)$$

$$a_2 + a_0 \quad (۲)$$

$$a_4 + a_2 \quad (۳)$$

$$a_0 + a_2 + a_4 \quad (۴)$$

۱۰۳- اگر  $x(t)$  یک سیگنال زمانی با مقادیر موهومی خالص و تقارن فرد باشد، کدام مورد، در خصوص تبدیل فوریه

آن، یعنی  $X(j\omega)$  درست است؟

$$\angle X(j\omega) = 0 \quad \text{و تقارن زوج دارد.} \quad (۱)$$

$$\text{Im}\{X(j\omega)\} = 0 \quad \text{و تقارن زوج دارد.} \quad (۲)$$

$$\text{Im}\{X(j\omega)\} = 0 \quad \text{و تقارن فرد دارد.} \quad (۳)$$

$$\text{Re}\{X(j\omega)\} = 0 \quad \text{و تقارن فرد دارد.} \quad (۴)$$

۱۰۴- کدام مورد نادرست است؟

(۱) سیستم LTI پایداری وجود دارد که یک موج مربعی را در ورودی دریافت کرده و یک موج سینوسی با همان فرکانس اصلی موج مربعی در خروجی بدهد.

(۲) سیستم LTI پایداری وجود دارد که یک موج سینوسی را در ورودی دریافت کرده و یک موج مربعی با همان فرکانس در خروجی بدهد.

(۳) سیستم LTI پایداری وجود دارد که یک موج مربعی را در ورودی دریافت کرده و یک موج سینوسی با فرکانس ۳ برابر فرکانس اصلی موج مربعی در خروجی بدهد.

(۴) سیستم LTI پایداری وجود دارد که یک موج مثلثی را در ورودی دریافت کرده و یک موج مربعی با همان فرکانس اصلی موج مثلثی در خروجی بدهد.

۱۰۵- در یک سیگنال گسسته  $x[n]$  می‌دانیم:

$$x[n] \xrightarrow{F} X(e^{j\Omega}) \quad , \quad X(e^{j\Omega}) = 0 \quad , \quad \frac{\pi}{3} < |\Omega| < \pi$$

اگر  $y[n] = \cos\left(\frac{4\pi}{3}n\right) \cdot x[n]$  باشد، تبدیل فوریه  $y[n]$  در چه بازه‌ای از  $\Omega$  حتماً صفر است؟

$$|\Omega| < \frac{\pi}{3} \quad (۱)$$

$$|\Omega| < \pi \quad (۲)$$

$$\frac{\pi}{3} < |\Omega| < \frac{4\pi}{3} \quad (۳)$$

$$|\Omega| < \frac{2\pi}{3} \quad (۴)$$

۱۰۶- برای یک سیستم LTI گسسته پایدار با پاسخ فرکانسی  $H(e^{j\Omega})$  و پاسخ ضربه  $h[n]$  داریم:

$$\frac{1}{2\pi} \int_0^{2\pi} |H(e^{j\Omega})|^2 d\Omega = 1$$

در خصوص، این سیستم کدام مورد ممکن است درست باشد؟

$$\frac{1}{2\pi} \int_0^{2\pi} H(e^{j\Omega}) d\Omega > 1 \quad (۱)$$

$$\sum_{-\infty}^{\infty} |h[n]| = 0 \quad (۲)$$

$$h[0] = 2 \quad (۳)$$

$$\sum_{-\infty}^{\infty} h[n] > 1 \quad (۴)$$

۱۰۷- چند سیستم LTI وجود دارند که معادله دیفرانسیل آنها به صورت زیر باشد؟

$$\frac{d^2}{dt^2} y(t) + 3 \frac{d}{dt} y(t) + 2y(t) = \frac{d}{dt} x(t) - x(t)$$

۱ (۱)

۲ (۲)

۳ (۳)

۴ (۴)

۱۰۸- یک سیستم LTI گسسته پایدار با پاسخ ضربه  $h_1[n]$  دارای تابع تبدیل  $H_1(z) = \frac{A(z^{-1})}{(1-2z^{-1})^3}$  است که

$A(z^{-1})$  یک چندجمله‌ای درجه ۴ برحسب  $z^{-1}$  است. در مورد سیستمی با پاسخ ضربه  $h_2[n] \triangleq h_1[-n]$ ، کدام مورد درست است؟

(۱) سیستم پایدار و غیرسببی است.

(۲) سیستم ناپایدار و غیرسببی است

(۳) سیستم پایدار و سببی است.

(۴) سیستم ناپایدار و سببی است.

۱۰۹- اگر  $x_2[n] = \begin{cases} x_1[-\frac{n}{2}] & n = 2k \\ 0 & \text{سایر جاها} \end{cases}$ ، کدام مورد درست است؟

$$X_2(z) = X_1(-z^{-2}) \quad (۱)$$

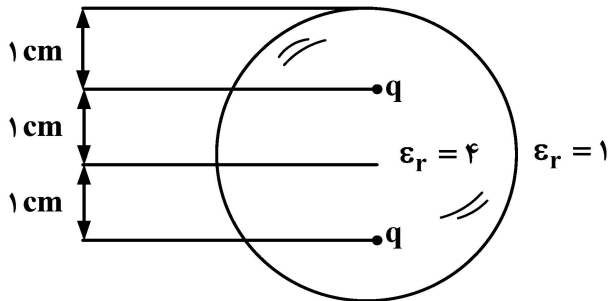
$$X_2(z) = X_1(z^2) \quad (۲)$$

$$X_2(z) = X_1(-z^2) \quad (۳)$$

$$X_2(z) = X_1(z^{-2}) \quad (۴)$$

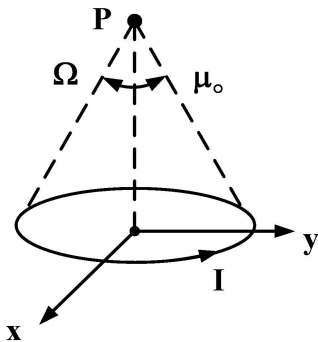
الکترومغناطیس:

۱۱۰- کره عایق به شعاع ۲ cm و با  $\epsilon_r = 4$  مفروض است. دو بار نقطه‌ای هر یک به مقدار  $q$  همانند شکل به فاصله ۱ cm از مرکز این کره مستقر شده‌اند. نسبت کل بارهای سطحی مقید روی سطح کره عایق به  $q$  کدام است؟



- (۱)  $\frac{3}{2}$
- (۲)  $\frac{5}{2}$
- (۳)  $\frac{3}{4}$
- (۴)  $\frac{5}{4}$

۱۱۱- حلقه‌ای دایروی حامل جریان DC رشته‌ای I در صفحه xy واقع شده و مرکز آن منطبق بر مبدأ مختصات است. پتانسیل اسکالر مغناطیسی در نقطه P که دور از حلقه در روی محور  $z > 0$  قرار گرفته است، کدام است؟ (نقطه P حلقه را با زاویه فضایی  $\Omega$  می‌بیند).



- (۱)  $\frac{I}{2\pi} \Omega$
- (۲)  $\frac{I}{4\pi} \Omega$
- (۳)  $\mu_0 \frac{I}{2\pi} \Omega$
- (۴)  $\mu_0 \frac{I}{4\pi} \Omega$

۱۱۲- نیم فضای  $x > 0$  با عایقی غیرهمگن پر شده و از بارهای الکتریکی آزاد تهی است. ضریب گذردهی این عایق به صورت

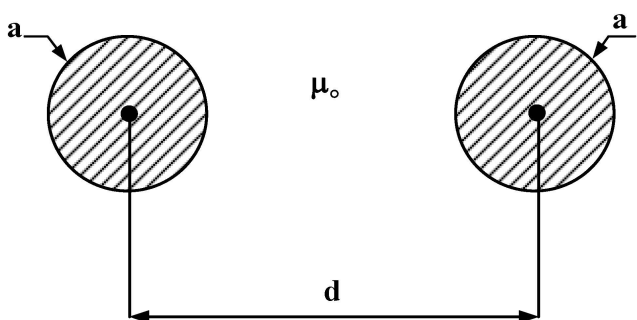
$$\epsilon(x) = \epsilon_0 e^{-2x} \left[ \frac{F}{m} \right]$$

به ترتیب کدام است؟

- (۱)  $\epsilon_0 \vec{E} \cdot \hat{x}$  و  $-2\vec{E} \cdot \hat{x}$
- (۲)  $-\epsilon_0 \vec{E} \cdot \hat{x}$  و  $2\vec{E} \cdot \hat{x}$
- (۳)  $2\epsilon_0 \vec{E} \cdot \hat{x}$  و  $-2\vec{E} \cdot \hat{x}$
- (۴)  $-2\epsilon_0 \vec{E} \cdot \hat{x}$  و  $2\vec{E} \cdot \hat{x}$

۱۱۳- همانند شکل، شعاع هر یک از سیم‌های رسانای یک خط انتقال برابر  $a$  و فاصله رساناها از یکدیگر  $d$  است. اندوکتانس خارجی این خط انتقال در واحد طول چند هانری بر متر است؟ (اگر  $e$  عدد اویلر باشد، می‌دانیم

$$a = e \quad \text{و} \quad d = e(e+1) \quad \text{و} \quad \frac{H}{m} = 4\pi \times 10^{-7} \mu_0$$



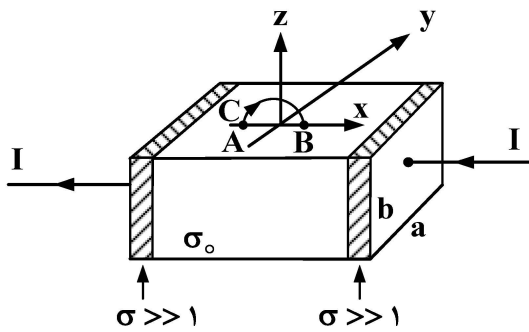
- (۱)  $4 \times 10^{-7} \ln(e+1)$
- (۲)  $2 \times 10^{-7} \ln(e+1)$
- (۳)  $4 \times 10^{-7}$
- (۴)  $2 \times 10^{-7}$

۱۱۴- مقاومت الکتریکی نشان داده شده در شکل زیر را در نظر بگیرید. رسانایی دو الکتروود این مقاومت بسیار بزرگ  $\sigma \gg 1$  و

رسانایی ماده مقاومت  $\sigma_0 = 4 \frac{S}{m}$  فرض می‌شود. اگر جریان DC عبوری از این مقاومت در جهت نشان داده شده  $I = 2A$

باشد و فضای اطراف این مقاومت خلأ فرض شود، آن گاه انتگرال خط  $\int_C \vec{E} \cdot d\vec{l}$  در خلأ روی مسیر نیم‌دایره C به شعاع

۳mm از نقطه A به نقطه B چند ولت است؟ (می‌دانیم:  $a = 8 \text{ mm}$ ,  $b = 6 \text{ mm}$ )



(۱)  $-31/25$

(۲)  $-62/5$

(۳)  $-500$

(۴)  $-1000$

۱۱۵- بار الکتریکی با چگالی یکنواخت  $\rho_0$  کولن بر مترمربع روی سطح یک دیسک به شعاع  $a$  توزیع شده است. این دیسک با سرعت زاویه‌ای ثابت  $\omega_0$  به آرامی حول محور خود که همان محور  $z$  است در جهت مثلثاتی می‌چرخد به قسمی که توزیع بارها یکنواخت باقی می‌ماند. بردار گشتاور دوقطبی مغناطیسی این دیسک کدام است؟

(۱)  $\frac{\pi}{4} \rho_0 \omega_0 a^4 \hat{z}$

(۲)  $\frac{1}{4} \rho_0 \omega_0 a^4 \hat{z}$

(۳)  $\frac{2\pi}{5} \rho_0 \omega_0 a^5 \hat{z}$

(۴)  $\frac{2\pi^2}{5} \rho_0 \omega_0 a^5 \hat{z}$

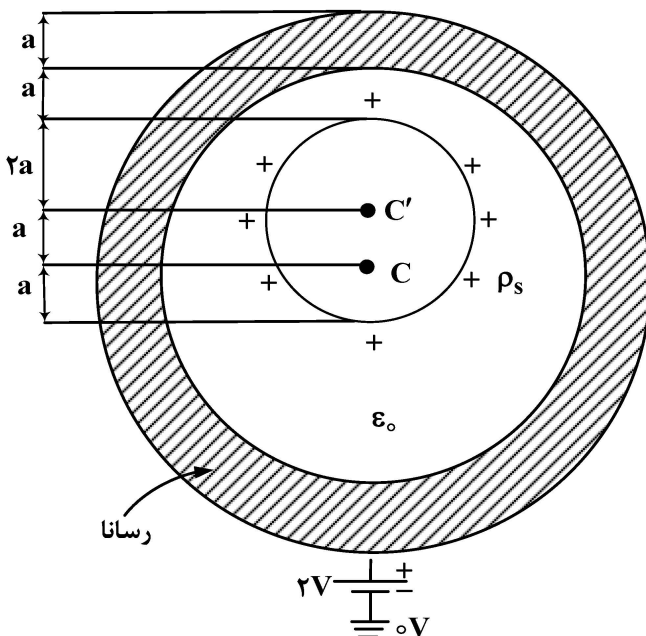
۱۱۶- در شکل زیر نقطه C مرکز یک پوسته رسانای کروی به شعاع داخلی  $4a$  و شعاع خارجی  $5a$  را نشان می‌دهد. نقطه C' مرکز توزیع بار سطحی کروی یکنواخت به چگالی  $\rho_s = 2\epsilon_0$  کولن بر مترمربع و شعاع  $2a$  را نمایش می‌دهد. اگر  $a = 2 \text{ m}$  باشد، آن گاه پتانسیل الکتریکی در مرکز C چند ولت است؟

(۱) ۱۴

(۲) ۸

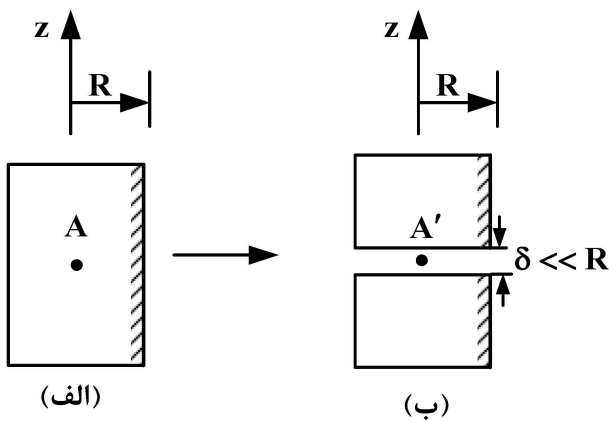
(۳) ۶

(۴) ۴



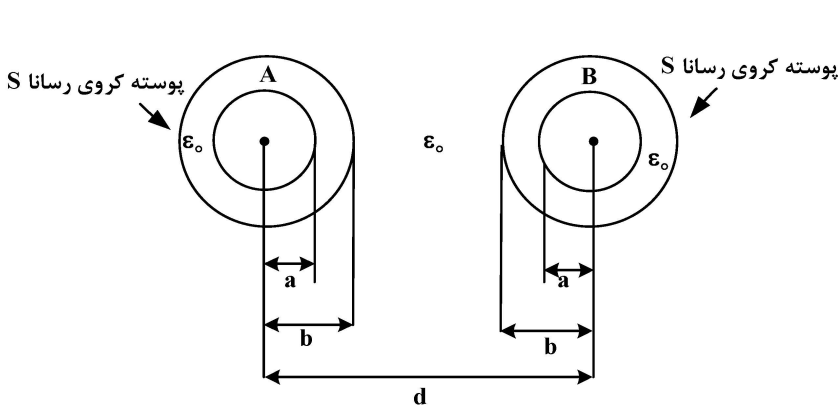


۱۱۷- آهنربای دائمی استوانه‌ای که شعاع آن  $R$  فرض می‌شود، به‌طور یکنواخت مغناطیس شده است به قسمی که بردار مغناطیس‌شدگی در داخل آن همه‌جا به‌صورت  $\vec{M} = 2\hat{z}$  آمپر بر متر است. شکل (الف) این آهنربا را نشان می‌دهد و نقطه  $A$  دقیقاً در مرکز آن است. در شکل (ب) این آهنربا به دو قسمت مساوی تقسیم شده است که فاصله هوایی آنها  $\delta$  نسبت به  $R$  ناچیز است. اگر نقطه  $A'$  در وسط فاصله هوایی باشد، آن‌گاه تفاضل  $\vec{H}_A - \vec{H}_{A'}$  کدام است؟



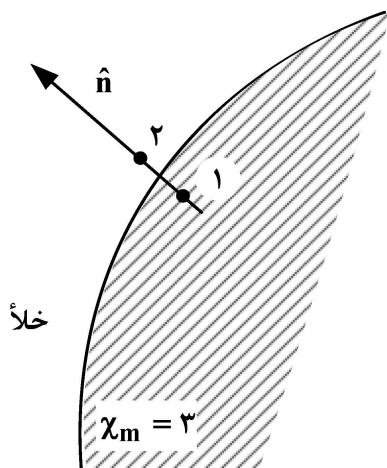
- (۱)  $+2\frac{\delta}{R}\hat{z}$
- (۲)  $-2\frac{\delta}{R}\hat{z}$
- (۳)  $+2\hat{z}$
- (۴)  $-2\hat{z}$

۱۱۸- همانند شکل دو کره  $A$  و  $B$  رسانا بوده و شعاع هر یک  $a$  است. پوسته رسانای نازک کروی  $S$  به شعاع  $b$  به‌طور هم‌مرکز دور هر یک از کره‌های  $A$  و  $B$  قرار گرفته است. اگر فاصله بین مراکز دو کره  $A$  و  $B$  برابر  $d$  باشد به‌نحوی که  $d \gg b$ ، معکوس ظرفیت الکتریکی بین کره‌های  $A$  و  $B$  کدام است؟



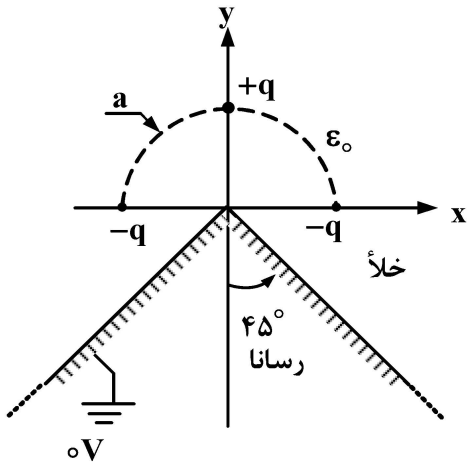
- (۱)  $\frac{1}{2\pi\epsilon_0} \left( \frac{b-a}{ab} + \frac{d-b}{bd} \right)$
- (۲)  $\frac{1}{2\pi\epsilon_0} \left( \frac{b-a}{ab} + \frac{d-b}{2bd} \right)$
- (۳)  $\frac{1}{2\pi\epsilon_0} \frac{d-a}{ad}$
- (۴)  $\frac{1}{2\pi\epsilon_0} \frac{d-a}{2ad}$

۱۱۹- مرز مشترک یک ماده مغناطیسی با خلأ در شکل ملاحظه می‌شود. ماده مغناطیسی همگن، ایزوتروپ و خطی با  $\chi_m = 3$  فرض شده است. در محلی که بردار واحد عمود بر فصل مشترک  $\hat{n}$  است، دو نقطه ۱ و ۲ در دو طرف مرز و به ترتیب در ماده مغناطیسی و خلأ هستند. اگر میدان مغناطیسی در نقطه ۱ بردار  $\vec{B}_1$  باشد، آن‌گاه  $\vec{B}_2$  در نقطه ۲ کدام است؟



- (۱)  $\frac{1}{2}\vec{B}_1 + \frac{1}{2}(\vec{B}_1 \cdot \hat{n})\hat{n}$
- (۲)  $\frac{1}{2}\vec{B}_1 + \frac{3}{2}(\vec{B}_1 \cdot \hat{n})\hat{n}$
- (۳)  $\frac{1}{4}\vec{B}_1 + \frac{3}{4}(\vec{B}_1 \cdot \hat{n})\hat{n}$
- (۴)  $\frac{1}{4}\vec{B}_1 + \frac{1}{4}(\vec{B}_1 \cdot \hat{n})\hat{n}$

۱۲۰- کار لازم برای آن که سه بار نقطه‌ای با مقادیر داده شده در شکل از بی نهایت به آرامی به نقاط نشان داده شده روی محیط دایره‌ای فرضی به شعاع  $a$  در کنار یک گوشه قائمه از جنس ماده‌ای رسانا آورده شوند، چند ژول است؟ (فرض کنید  $q = 2\text{ C}$ ,  $a = 0.5\text{ m}$ )



$$\frac{3}{8\pi\epsilon_0} (1 - 2\sqrt{2}) \quad (1)$$

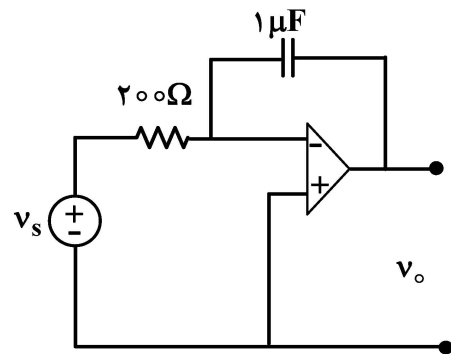
$$\frac{3}{2\pi\epsilon_0} (1 - 2\sqrt{2}) \quad (2)$$

$$\frac{2}{\pi\epsilon_0} (1 - 2\sqrt{2}) \quad (3)$$

$$\frac{1}{2\pi\epsilon_0} (1 - 2\sqrt{2}) \quad (4)$$

مقدمه‌ای بر مهندسی پزشکی:

۱۲۱- اگر آپ‌آمپ در ناحیه اشباع نشده در یک تقویت کننده خطی در حال کار کردن باشد و فیدبک منفی داشته باشیم، مقدار  $v_o$  کدام است؟



$$-\Delta \int_0^t v_s(t) dt \quad (1)$$

$$-\frac{1}{\Delta} \int_0^t v_s(t) dt \quad (2)$$

$$\Delta \int_0^t i(t) dt + v_c \quad (3)$$

$$\frac{1}{\Delta} \int_0^t i(t) dt + v_c \quad (4)$$

۱۲۲- با کدام ابزار، اندازه گیری بهتری از درصد اشباع خون از اکسیژن انجام می شود؟

- (۱) گلوکومتر
- (۲) پالس اکسی متر
- (۳) الکترومایوگرام
- (۴) الکتروکاردیوگرام

۱۲۳- کدام مورد، در خصوص ولتاژ نرنست یک یون درست است؟

- (۱) اگر مقدار بار یک یون دو برابر شود، قدرمطلق ولتاژ نرنست نصف می شود.
- (۲) افزایش دمای محیط موجب کاهش قدرمطلق ولتاژ نرنست کلر می شود.
- (۳) ولتاژ نرنست یک یون، ولتاژی است که در آن گذردهی غشا نسبت به یون صفر می شود.
- (۴) افزودن مقدار مساوی از یک یون به داخل و خارج سلول موجب تغییر ولتاژ نرنست سلول نمی شود.

۱۲۴- اگر رگ صلب فرض شود، تغییر در کدام عامل تأثیر بیشتری در افزایش اختلاف فشار خون دارد؟

- (۱) هماتوکریت
- (۲) ویسکوزیته خون
- (۳) قطر رگ
- (۴) طول رگ

۱۲۵- برای اندازه گیری چرخش مفصل زانو، به ازای چرخش  $130^\circ$  درجه زانو، با استفاده از پتانسیومتر با مقاومت

$4\text{ k}\Omega$  و جریان  $15\text{ mA}$ ، چه مقدار تغییر ولتاژ بر حسب ولت نیاز است؟

- (۱)  $728.0$
- (۲)  $10107$
- (۳)  $12800$
- (۴)  $20215$

۱۲۶- فرمول زیر، شار جریان یون p تحت میدان الکتریکی را نشان می‌دهد. کدام مورد، درباره ضریب موبیلیتی با قابلیت حرکت یون  $u_p$  نادرست است؟

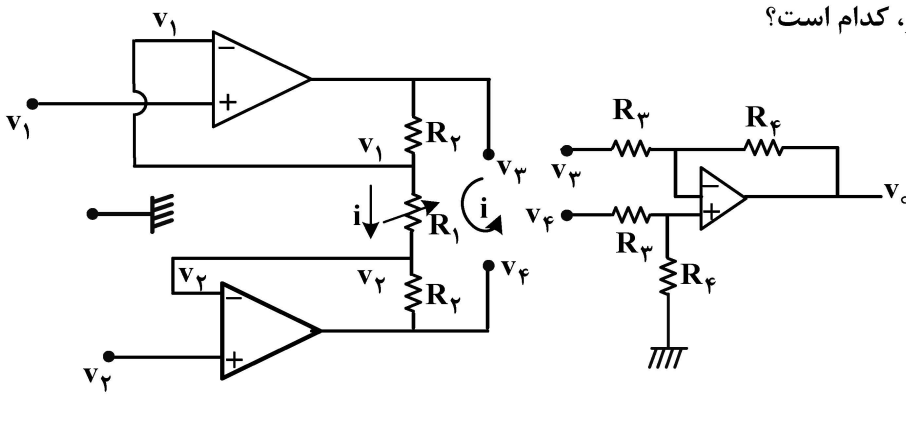
$$\bar{j}_e = -u_p \frac{Z_p}{|Z_p|} C_p \nabla \Phi$$

- (۱) تابعی از سایز یون است.  
 (۲) تابعی از ویسکوزیته محلول است.  
 (۳) با ضریب دیفیوژن رابطه مستقیم ندارد.  
 (۴) افزایش یا کاهش آن تأثیری در ولتاژ نرنست ندارد.
- ۱۲۷- در سیستم استاندارد ۲۰-۱۰ برای ثبت EEG اعداد زوج، نشان‌دهنده کدام قسمت مغز هستند؟  
 (۱) راست (۲) چپ (۳) بالا (۴) پایین
- ۱۲۸- ضریب سنج (gauge factor) در یک کرنش‌سنج (strain gauge) برای یک جسم کاملاً تراکم‌ناپذیر (perfectly incompressible) که خاصیت پیرو ندارد، کدام است؟

$$\left( \frac{\Delta \rho / \rho}{\Delta L / L} \rightarrow 0 \right)$$

- (۱) ۰/۵ (۲) ۱ (۳) ۲ (۴) ۳
- ۱۲۹- افزایش کدام عامل، موجب کاهش خون‌سازگاری سطح بیومترال‌ها می‌شود؟  
 (۱) ضدحساسیت (۲) صیقلی بودن (۳) بار الکتریکی منفی (۴) بار الکتریکی مثبت

۱۳۰- گین نهایی در شکل زیر، کدام است؟



- (۱)  $\frac{v_0}{v_1 - v_2}$   
 (۲)  $\frac{v_0}{v_4 - v_2}$   
 (۳)  $\frac{v_3 - v_4}{v_1 - v_2}$   
 (۴)  $\frac{v_1 - v_2}{v_3 - v_4}$

۱۳۱- اگر جریانی نقطه‌ای با مقدار  $I_0$  به داخل یک آکسون بی‌نهایت بلند تزریق شود، ولتاژی که در نقطه تزریق در حالت پایدار ایجاد می‌شود، .....  
 (۱) با افزایش ثابت مکانی آکسون کاهش می‌یابد.  
 (۲) با افزایش ثابت زمانی آکسون کاهش می‌یابد.  
 (۳) با مقاومت طولی خارج آکسون، در شرایطی که ثابت مکانی ثابت بماند، رابطه مستقیم دارد.  
 (۴) با مقاومت طولی داخل آکسون، در شرایطی که ثابت مکانی ثابت بماند، رابطه مستقیم دارد.



